



PHILIPS

GERÄTEHANDBUCH BAND III

BEBILDERTE ERSATZTEILLISTE

**SENDER/
EMPFÄNGER
RT-4600
VOM
VHF-SYSTEM
VRC-4622**

1. ALLGEMEINES

2. ERSATZTEILLISTE

3. ABBILDUNGEN

4. ÜBERSETZUNGSLISTE
ENGLISCH/DEUTSCH

RECEIVER / TRANSMITTER
RT-4600

9551 690 50300

REPAIR PARTS LIST

NOVEMBER 1986

MANUAL No.

HGT5-2118e



© HOLLANDSE SIGNAALAPPARATEN B.V., 1986
- THIS INFORMATION CARRIER CONTAINS
PROPRIETARY INFORMATION WHICH MAY NOT
BE USED FOR OTHER PURPOSES THAN THOSE
FOR WHICH IT HAS BEEN RELEASED, NOR
BE REPRODUCED OR DISCLOSED TO THIRD
PARTIES, WITHOUT THE PRIOR WRITTEN
CONSENT OF HOLLANDSE SIGNAALAPPARATEN
B.V., THE NETHERLANDS.

Repair parts List RT-4600

PREFACE

1) General

This manual is a list of items authorized for operator (first echelon) organizational (second echelon), field (third echelon) and depot (fourth and fifth echelon) maintenance.

The unit is divided in subassemblies as indicated on page 3.

From the subassemblies, the maintenance repair parts are listed in a alpha numerical order.

The fastening material of a repair part is listed directly below this repair part and the quantities of this fastening material are given for one repair part only. Fastening material for parts which are not repair parts, are listed as the maintenance repair parts mentioned above.

2) Explanation of columns

Column 1 lists the NATO stocknumber of the item

Column 2 lists the Manufacturing Code Number of the item

Column 3 lists the official name of the item and any additional description required for supply operations

Column 4 lists the quantities of the item, used in the next higher assembly of this item.

Unless otherwise indicated, the quantities are given in pieces.

Column 5 lists the echelon which is authorized to make a request for the item.

Column 6 lists the number of the figure, which shows the location of the item.

Column 7 lists the key number of the item on the figure, mentioned in column 6.

Repair parts List RT-4600

3) Abbreviations

The abbreviations listed below may appear in the manual.

br	brass
bz	bronze
cd	cadmium
cd-pltd	cadmium-plated
corr-res-s	corrosion-resistant steel
cr	chromium
fl-fil-hd	flat fillister head
fl-hd	flat head
hex	hexagon
id	inside diameter
l	length
ni	nickel
ni-pltd	nickel-plated
od	outside diameter
p-bz	phosphor bronze
ru	rubber
s	steel
spg-s	spring-steel
thk	thick
tot	total

Repair parts List RT-4600

RECEIVER-TRANSMITTER, RADIO RT-4600 type 9551 690 50300
25 kHz Channel spacing.

This equipment consists of the following subassemblies:

CABINET, ELECTRICAL EQUIPMENT	page	4
FRAME ASSEMBLY	page	5
MODULE 11	page	14
MODULE 2	page	18
MODULE 3	page	29
MODULE 4	page	41
MODULE 205	page	54
MODULE 6	page	67
MODULE 7	page	78
MODULE 8	page	88
MODULE 9	page	97
MODULE 10 A	page	112
LIST OF FIGURES RT-4600	page	114

Repair parts List RT-4600

Line No.	NATO Stocknumber	Mfg. Code No.	Description	Qua	Ech	Fig No	Key No	Remarks
	1	2	3	4	5	6	7	8
1	5820-17-052-4414	3522 143 03710	CABINET, ELECTRICAL EQUIPMENT <u>consisting of the following spare parts:</u>	1	3	1	2	
2	5820-17-054-0113	3522 143 03720	CABINET, ELECTRICAL EQUIPMENT	1	2	3	1	
3	5340-17-034-3464	3522 114 24100	CLAMP, BRIDGE	8	4	3	3	
4	5315-17-052-7844	3522 114 16400	PIN, PILOT	2	4	3	5	
5	5310-12-169-7096	3522 500 16355	<u>secured with:</u> NUT, HEXAGON; corr-res-s;	1	4			
6	5310-17-034-3462	3522 114 37100	type BM 6 NEN 2334 WASHER, FLAT; cr-ni-s; 12 mm od, 6,2 mm id, 0,5 mm thk	1	4			
7		2522 613 12014	WASHER, LOCK; corr-res-s; type B 6,1 NEN 1197	1	4			
8	5305-17-036-9339	2522 043 18048	SCREW, SET; corr-res-s; type AM 4 x 6 NEN 2343	2	2	3	2	
9	5305-17-034-3461	2422 043 18049	SCREW, SET; corr-res-s; type AM 4 x 8 NEN 2343	6	2	3	6	
10	3040-17-034-3460	3522 114 24000	SHAFT, STRAIGHT	8	4	3	4	

Repair parts List RT-4600

Line No.	NATO Stocknumber	Mfg. Code No.	Description	Qua	Ech	Fig No	Key No	Remarks
	1	2	3	4	5	6	7	8
1		3522 154 04330	<u>FRAME ASSEMBLY</u> consisting of the following spare parts:	1	3	1	1	25 kHz
2		3522 114 05480	BLOCK	1	4	6	3	
3		2522 001 17045	<u>secured with:</u> SCREW, FL-FIL-HD; corr-res-s; type AM 2 x 6 NEN 1602	2	4			
4	5310-12-166-9422	2522 613 12001	WASHER, LOCK; corr-res-s; type B 2,1 NEN 1197	2	4			
5		3522 114 05520	BLOCK	1	4	6	10	
6		2522 001 17045	<u>secured with:</u> SCREW, FL-FIL-HD; corr-res-s; type AM 2 x 6 NEN 1602	2	4			
7	5310-12-166-9422	2522 613 12001	WASHER, LOCK; corr-res-s; type B 2,1 NEN 1197	2	4			
8	5340-17-033-0219	3522 114 09100	BLOCK	2	2	4	3	
9	5305-12-151-8366	2522 001 17171	<u>secured with:</u> SCREW, FL-FIL-HD; corr-res-s; type AM 4 x 10 NEN 1602	2	2			
10	5310-17-033-6249	2522 613 03009	WASHER, LOCK; p-bz ni-pltd; type B 4,1 NEN 1197	2	2			
11	5340-17-033-0220	3522 114 09300	BLOCK; cr-ni-s; to secure stacked units	1	2	4	12	

Repair parts List RT-4600

Line No.	NATO Stocknumber	Mfg. Code No.	Description	Qua	Ech	Fig No	Key No	Remarks
	1	2	3	4	5	6	7	8
1		3522 114 80000	<u>FRAME ASSEMBLY (continued)</u> BRACKET; cr-ni-s	1	4	5	1	
2		2522 001 17097	<u>secured with:</u> SCREW; FL-FIL-HD; corr-res-s; type M 3 x 6	1	4			
3	5940-17-029-1748	2422 015 01002	TERMINAL, LUG, SINGLE; br; type M 3	1	4			
4	5310-12-154-1360	2522 613 12005	WASHER, LOCK; corr-res-s; type 3,1 x 6,2	1	4			
5		3522 114 07700	BRACKET, ANGLE; cr-s	2	4	6	5	
6		2522 187 21023	<u>secured with:</u> SCREW, FL-HD; corr-res-s; type AM 2 x 6 NEN 2329	2	4			
7		3522 154 05600	BRACKET ASSEMBLY	1	4	5	8	
8	5910-17-052-6811	2222 631 09568	CAPACITOR, FIXED, CERAMIC DIELECTRIC; 5,6 pF 100 V (C14)	1	4	5	10	
9		2222 631 10129	CAPACITOR, FIXED, CERAMIC DIELECTRIC; 12 pF 2 %; 100 V (C15)	1	4	5	14	
10	5820-17-054-0286	3522 154 04900	CHASSIS	1	4	6	1	

Repair parts List RT-4600

Line No.	NAIO Stocknumber	Mfg. Code No.	Description	Qua	Ech	Fig No	Key No	Remarks
	1	2	3	4	5	6	7	8
1		3522 154 57500	<u>FRAME ASSEMBLY (continued)</u> CLAMP; cr-ni-s; <u>secured with:</u> PIN, SHOULDER, HEADLESS; cr-ni-s POST, ELECTRICAL-MECHANICAL EQUIPMENT; consisting of stud, washer and nut	1	2	4	5	
2	5315-17-033-0183	3522 114 00400		2	2			
3	5340-17-033-0203	3522 154 01200		1	2			
4		2522 634 10006	RING, RETAINING; corr-res-spg-s; type 3,2 DIN 6799	2	2			
5	5985-17-052-8714	3522 154 01900	CONNECTOR ASSEMBLY, ELECTRICAL <u>consisting of:</u>	1	4	4	2	
6	5985-17-052-9193	3522 114 07800	BUSH	1	4			
7	5970-17-052-8960	3522 114 07900	BUSH, INSULATING	1	4			
8	5310-17-052-9963	2522 432 02031	NUT, HEXAGON; br ni-pltd; type M 8	1	4			
9	5330-99-624-5927	2622 080 30733	O-RING; ru; 15,16 mm od, 9,92 mm id, 2,62 mm thk	1	4			
10		3522 023 20290	O-RING; ru ; 19,2 mm id, 3 mm thk	1	4			
11	5970-17-054-5327	3522 114 08000	WASHER	1	4			
12	5310-17-054-5179	3522 114 08100	WASHER	1	4			

Repair parts List RT-4600

Line No.	NAVO Stocknumber	Mfg. Code No.	Description	Qua	Ech	Fig No	Key No	Remarks
	1	2	3	4	5	6	7	8
1	5935-17-033-9979	3522 020 59080	<u>FRAME ASSEMBLY (continued)</u> CONNECTOR, RECEPTABLE, ELECTRICAL; 1 female contact	1	3	4	17	
2	5935-17-034-3013	3522 020 64780	CONNECTOR, RECEPTABLE, ELECTRICAL; 5 contacts	1	4	5	19	
3	5935-00-081-7810	3522 020 72110	CONNECTOR, RECEPTABLE, ELECTRICAL; 15 male contacts	1	4	6	2	
4		2522 001 17045	<u>secured with:</u> SCREW, FL-FIL-HD; corr-res-s; type AM 2 x 6 NEN 1602	2	4			
5	5310-12-174-8362	2522 600 27151	WASHER, FLAT; corr-res-s; type A 2,2 NEN 2269	2	4			
6	5310-12-166-9422	2522 613 12001	WASHER, LOCK; corr-res-s; type B 2,1 NEN 1197	2	4			
7	5935-17-050-2858	4322 027 74040	CONNECTOR, RECEPTABLE, ELECTRICAL; 2 x 4 contacts	1	4	5	7	
8	5935-17-050-2859	4322 027 74060	CONNECTOR, RECEPTABLE, ELECTRICAL; 2 x 6 contacts	2	4	5	17	
9	5340-17-052-8710	3522 114 07300	COVER; cr-ni-s <u>secured with:</u>	1	4	4	7	
10	5305-17-052-9182	3522 114 07400	SCREW, FL-FIL-HD; cr-ni-s; M 3	1	4			
11		3522 114 44900	WASHER	1	4			

Repair parts List RT-4600

Line No.	NAVO Stocknumber	Mfg. Code No.	Description	Qua	Ech No	Fig No	Key No	Remarks
	1	2	3	4	5	6	7	8
1	5340-17-052-4161	3522 114 08910	<u>FRAME ASSEMBLY (continued)</u> COVER; for knob	6	2	4	9	
2		3522 154 01300	COVER, ELECTRICAL, CONNECTOR <u>secured with:</u>	1	2	4	16	
3	5305-12-158-8221	2522 001 17045	SCREW, FL-FIL-HD; corr-res-s; type AM 2 x 6 NEN 1602	1	2			
4	5310-17-033-4820	2522 613 03001	WASHER, LOCK; p-bz ni-pltd; type B 2,1 NEN 1197	1	2			
5	5820-17-052-3022	3522 154 01720	FRONT <u>secured with:</u>	1	4	4	1	
6		3522 500 16353	NUT, HEXAGON; corr-res-s, type BM 4 NEN 2334	1	4			
7		2522 401 09011	NUT, HEXAGON, corr-res-s; type M 4 NEN 1560	3	4			
8		2522 187 21088	SCREW, FL-HD; corr-res-s; type AM 4 x 8 NEN 2329	2	4			
9		2522 187 21089	SCREW, FL-HD; corr-res-s; type AM 4 x 10 NEN 2329	1	4			
10		2522 187 21091	SCREW, FL-HD; corr-res-s; type AM 4 x 12 NEN 2329	3	4			
11	5310-12-154-9279	2522 613 12009	WASHER, LOCK; corr-res-s; type B 4,1 NEN 1197	4	4			

Repair parts List RT-4600

Line No.	NATO Stocknumber	Mfg. Code No.	Description	Qua	Ech	Fig No	Key No	Remarks
	1	2	3	4	5	6	7	8
			FRAME ASSEMBLY (continued)					
1	5970-00-895-7579	3522 020 73050	INSULATOR, PLATE; for switch SK2	1	4	5	12	
2		3522 114 32400	INSULATOR, PLATE; for capacitor C14, C15	2	4			
3	5355-17-052-4281	3522 154 03810	KNOB	2	2	4	8	
4	5355-17-052-4014	3522 154 03910	KNOB	4	2	4	4	
5	5820-17-052-4402	3522 156 01820	LAMPHOLDER ASSEMBLY, 10 B	1	4	5	5	
6		3522 154 48500	LAMPHOLDER	1	4	5	3	
7	5820-17-054-0277	3522 114 05500	LENS, INDICATOR, LIGHT	2	4	5	4	
8	5820-17-054-0278	3522 114 05700	LENS, INDICATOR, LIGHT	1	4	4	6	
9		3522 154 48400	LIGHT, INDICATOR; 16 V 50 mA (La1)	1	3	5	2	
10	6240-00-060-2941	9236 639 08203	LIGHT, INDICATOR; 5 V 60 mA (La2,La3)	2	4	5	6	
11	5330-17-033-5825	2622 080 30708	O-RING; ru; 10,31 mm od; 6,75 mm id; 1,78 mm thk; under screw	1	4	4	18	
			3522 114 00300					
12	5315-17-033-0184	3522 114 00500	PIN, SHOULDER, HEADED; cr-ni-s; to guide stacked units	2	2	4	10	

Repair parts List RT-4600

Line No.	NATO Stocknumber	Mfg. Code No.	Description	Qty	Fig No	Key No	Remarks
	1	2	3	4	5	6	7
							8
1	5340-17-054-4751	3522 114 10000	<u>FRAME ASSEMBLY (continued)</u>	2	4	6	6
2		3522 114 05460	PIN; cr-ni-s	2	4	6	4
3		3522 156 01800	PLATE; cr-s	1	4	5	5
4		3522 114 09910	PLATE; for dial lights	1	4	4	15
			<u>PLATE, DESIGNATION</u>				
			<u>secured with:</u>				
5	5305-17-050-2898	2522 001 17044	SCREW, FL-FIL-HD; corr-res-s;	5	4		
			type AM 2 x 5 NEN 1602				
6	5310-17-033-4820	2522 613 03001	WASHER, LOCK; p-bz ni-pltd;	5	4		
			type B 2,1 NEN 1197				
7	5820-17-054-0512	3522 114 34000	PLATE, MOUNTING	1	3	2	5
8	5905-17-052-9614	3522 023 07890	RESISTOR, VARIABLE; 10 kohm 20 %;	1	4	5	15
			0,25 W (R1)				
9	5975-17-052-8649	3522 114 03000	RING; bz	2	4	6	8
10	5305-17-052-4110	3522 114 02960	SCREW, CAPTIVE; cr-ni-s;	8	4	6	9
			type AM 4 x 12				
11	5305-17-032-9886	3522 114 00300	SCREW, FL-FIL-HD; cr-ni-s; type M 5	1	4	4	14
12	5305-17-033-0189	3522 114 01000	SCREW, SHOULDERED; cr-ni-s; type M 5	1	2	4	13
			thread 1 4,3 mm; tot. l 16 mm				
13	5330-17-033-0204	3522 114 00100	SEAL, RUBBER STRIP; ru nitril, black	1	4	5	16
			249 x 49 x 4 mm				

Repair parts List RT-4600

Line No.	NATO Stocknumber	Mfg. Code No.	Description	Qua	Ech	Fig No	Key No	Remarks
	1	2	3	4	5	6	7	8
1	5360-17-033-1145	3522 114 01100	<u>FRAME ASSEMBLY (continued)</u> SPRING, HELICAL, COMPRESSION; p-bz	2	4	6	7	
2	5360-17-054-0279	3522 114 08200	SPRING, LEAF	1	4	5	9	
3	5930-17-052-9919	3522 023 15250	SWITCH (SK1)	1	4	5	18	
4	5930-17-052-8961	3522 154 03600	SWITCH ASSEMBLY <u>secured with:</u>	1	4	5	11	
5	5305-12-151-7814	2522 001 17098	SCREW, FL-FIL-HD; corr-res-s; type AM 3 x 8 NEN 1602	1	4			
6	5310-12-154-1360	2522 613 12005	WASHER, LOCK; corr-res-s; type B 3,1 NEN 1197	1	4			
7	5310-12-154-2735	2522 401 09005	<u>consisting of the following spare parts:</u> NUT, HEXAGON; corr-res-s;	2	4			
8		2522 001 17054	type M 2 NEN 1560 SCREW, FL-FIL-HD; corr-res-s;	2	4			
9	5360-17-054-0285	3522 154 04100	type AM 2 x 12 NEN 1602 SPRING	1	4			
10		3522 114 10400	STRIP	1	4			
11		3522 114 10900	STRIP	1	4			
12	5930-00-951-6451	3522 020 39650	SWITCH, SENSITIVE (SK2)	1	4			
13	5310-12-166-9422	2522 613 12001	WASHER, LOCK; corr-res-s; type B 2,1 NEN 1197	2	4			

Repair parts List RT-4600

Line No.	NATO Stocknumber	Mfg. Code No.	Description	Qua	Ech	Fig No	Key No	Remarks
	1	2	3	4	5	6	7	8
1	5940-17-052-4102	3522 114 00000	<u>FRAME ASSEMBLY (continued)</u>	1	4	5	13	
2	5310-17-033-0188	3522 114 00900	TERMINAL LUG WASHER, FLAT; p-bz; 17 mm od; 9 mm id; 0,2 mm thk	1	4	4	11	

Repair parts List RT-4600

Line No.	NATO Stocknumber	Mfg. Code No.	Description	Qua	Ech No	Fig No	Key No	Remarks
	1	2	3	4	5	6	7	8
1	5820-17-052-3164	3522 154 28000	<u>MODULE, 11</u> <u>consisting of the following spare</u> <u>parts:</u> ANTENNA, TUNER <u>secured with:</u> SCREW, FL-FIL-HD; corr-res-s; type AM 2 x 4 NEN 1602 WASHER, FLAT; corr-res-s; type 2,2 NEN 2269	1	3	2	3	
2	5820-17-052-3332	3522 156 04320		1	4	7	3	
3		2522 001 17043		4	4			
4	5310-12-174-8362	2522 600 27151		4	4			
5		2222 631 10109	CAPACITOR, FIXED, CERAMIC DIELECTRIC; 10 pF 2 %; 100 V (C1)	1	4	8		
6		3522 030 21970	COIL, RADIO FREQUENCY; 0,33 uH 5 %; type LT4K076 (L15, L16, L17, L18)	4	4	8		

Repair parts List RT-4600

Line No.	NATO Stocknumber	Mfg. Code No.	Description	Qua	Ech	Fig No	Key No	Remarks
	1	2	3	4	5	6	7	8
			<u>ANTENNA, TUNER, part of MODULE 11</u> (continued)					
1	5950-17-052-9865	3522 249 31020	COIL, RADIO FREQUENCY; 7*7*15 A (L14)	1	4	8		
2	5959-00-734-3940	3522 020 09910	COIL, RADIO FREQUENCY; 1 uH 10 %, type LT4K081 (L12, L13)	2	4	8		
3	5950-00-042-4694	3522 020 09920	COIL, RADIO FREQUENCY; 1,5 uH 10 %; type LT4K085 (L11)	1	4	8		
4	5950-17-052-9864	3522 249 31010	COIL, RADIO FREQUENCY (L3, L4)	2	4	8		
5	5950-17-052-9652	3522 023 04670	COIL, RADIO FREQUENCY (L10)	1	4	8		
6	5950-17-052-9651	3522 023 03880	COIL, RADIO FREQUENCY (L1)	1	4	8		
7	5950-17-052-9653	3522 023 04690	COIL, RADIO FREQUENCY (L9)	1	4	8		
8	5950-17-052-9654	3522 023 04700	COIL, RADIO FREQUENCY (L6, L8, L19)	3	4	8		
9	5950-17-052-9668	3522 023 04710	COIL, RADIO FREQUENCY (L7)	1	4	8		
10	5950-17-052-9669	3522 023 04720	COIL, RADIO FREQUENCY (L2, L5)	2	4	8		
11	5970-17-036-0255	3522 114 02800	INSULATOR, PLATE; for Capacitor C1 and Resistor R1	2	4	8	1	
12		2322 151 51002	RESISTOR, FIXED, FILM; 1 kohm 1 %; (R1)	1	4	8		

Repair parts List RT-4600

Line No.	NATO Stocknumber	Mfg. Code No.	Description	Qua	Ech No	Fig No	Key No	Remarks
	1	2	3	4	5	6	7	8
1		3522 114 04200	MODULE, 11 (continued) BRACKET; cr-s	1	4	7	1	
2	5340-17-054-8652	3522 114 12400	BRACKET; bz ni-pltd	1	4	7	7	
3	5340-17-054-0143	3522 114 05400	COVER; for MODULE 11 <u>secured with:</u>	1	4	7	2	
4		2522 001 17097	SCREW; FL-FIL-HD; corr-res-s; type AM 3 x 6 NEN 1602	2	4			
5	5310-12-154-1360	2522 613 12005	WASHER, LOCK; corr-res-s; type B 3,1 NEN 1197	2	4			
6	3010-17-054-0282	3522 154 02200	GEAR, ASSEMBLY	1	4	7	10	
7	5325-17-054-5040	2422 015 09034	GROMMET, RUBBER	1	4	7	8	
8	6105-17-054-0283	3522 154 02300	MOTOR, ASSEMBLY	1	4	7	13	
9	5330-99-624-5927	2622 080 30733	O-RING; ru; 15,16 mm od, 9,92 mm id, 2,62 mm thk	1	4	7	9	
10	5935-17-054-0142	3522 114 05200	PIN, CONTACT	1	4	7	5	
11	5315-17-052-4490	3522 114 04300	PIN, PILOT; cr-ni-s; M 2; tot. l 12,5 mm	1	4	7	11	
12	5315-17-052-4489	3522 114 04500	PIN, PILOT; cr-ni-s; M 2; tot. l 12,5 mm	1	4	7	16	

Repair parts List RT-4600

Line No.	NATO Stocknumber	Mfg. Code No.	Description	Qua	Ech	Fig No	Key No	Remarks
	1	2	3	4	5	6	7	8
1			<u>MODULE, 11 (continued)</u>					
		3522 114 04800	PLATE; bz ni-pltd	1	4	7	14	
2	5970-17-054-8651	3522 114 08300	RING	1	4	7	4	
3	5305-17-054-3974	2522 008 36342	SREW, CAPTIVE; br ni-pltd;	1	4	7	6	
			type M 3 x 10					
4	5310-12-154-1360	2522 613 12005	WASHER; LOCK; corr-res-s; type B 3,1	1	4	7		
5	5340-17-054-8799	3522 114 04900	SPACER	2	4	7	12	
			<u>secured with:</u>					
6		2522 001 17097	SCREW, FL-FIL-HD; corr-res-s;	2	4			
			type AM 3 x 8 NEN 1602					
7		3522 114 04700	SPACER	1	4	7	15	
			<u>secured with:</u>					
8		2522 187 21023	SCREW, FL-HD; corr-res-s;	2	4			
			type AM 2 x 6 NEN 2329					
9	5930-17-054-0284	3522 154 03400	SWITCH ASSEMBLY	1	4	7	17	

Repair parts List RT-4600

Line No.	NATO Stocknumber	Mfg. Code No.	Description	Qua	Ech	Fig No	Key No	Remarks
	1	2	3	4	5	6	7	8
1	5820-17-052-3050	3522 154 00100	<u>MODULE, 2</u> consisting of the following spare parts:	1	3	2	4	
2		3522 114 06400	COVER; for module	1	4	9	8	
3		2522 001 17097	<u>secured with:</u> SCREW, FL-FIL-HD; corr-res-s;	2	4			
4	5310-12-154-1360	2522 613 12005	type AM 3 x 6 NEN 1602 WASHER, LOCK; corr-res-s;	2	4			
5	5820-17-054-5717	3522 154 03100	type B 3,1 NEN 1197 BRACKET ASSEMBLY	1	4	9	4	
6	5820-17-052-3165	3522 156 00120	SECTION, RADIO FREQUENCY I AND II, 2 A	1	4	9	5	
7	5305-17-033-8433	2522 001 08044	<u>secured with:</u> SCREW, FL-FIL-HD; br ni-pltd;	4	4			
8	5310-17-036-0809	2522 600 10151	type AM 2 x 5 NEN 1602 WASHER, FLAT; br ni-pltd;	4	4			
9	5310-17-033-4820	2522 613 03001	type A 2,2 NEN 2269 WASHER, LOCK; p-bz ni-pltd; type B 2,1 NEN 1197	4	4			

Repair parts List RT-4600

Line No.	NATO Stocknumber	Mfg. Code No.	Description	Qua	Ech No	Fig No	Key No	Remarks
	1	2	3	4	5	6	7	8
			SECTION, RADIO FREQUENCY I AND II, 2A part of MODULE 2 (continued)					
1		2222 630 01102	CAPACITOR, FIXED, CERAMIC DIELECTRIC; 1000 pF 10 %; 100 V (C3, C14)	2	4	10		
2		2222 630 01472	CAPACITOR, FIXED, CERAMIC DIELECTRIC; 4700 pF 10 %; 100 V (C1, C6, C8, C10, C11, C12, C17, C19, C21, C22)	10	4	10		
3		2222 630 03102	CAPACITOR, FIXED, CERAMIC DIELECTRIC; 1000 pF 10 %; 100 V (C7, C18)	2	4	10		
4		2222 631 10159	CAPACITOR, FIXED, CERAMIC DIELECTRIC; 15 pF 2 %; 100 V (C5)	1	4	10		
5		2222 638 09478	CAPACITOR, FIXED, CERAMIC DIELECTRIC; 4,7 pF 0,25 P; 100 V (C16)	1	4	10		
6	5910-17-039-0126	2222 809 05001	CAPACITOR, VARIABLE, PLASTIC DIELECTRIC; 3 pF (C20)	1	4	10		
7	5910-17-052-9090	2222 809 05002	CAPACITOR, VARIABLE, PLASTIC DIELECTRIC; 9 pF (C2, C4, C9, C13, C15)	5	4	10		
8	5340-17-054-0280	3522 114 10600	CASE; for Coil L2, L3, L6, L7	2	4	10	7	
9	5950-01-004-7261	3522 020 10000	CHOKE, RADIO FREQUENCY; 33 uH, 10 %; (L1)	1	4	10		
10	5950-12-194-8767	3522 023 03370	CHOKE, RADIO FREQUENCY; (L2, L3)	2	4	10		

Repair parts List RT-4600

Line No.	NATO Stocknumber	Mfg. Code No.	Description	Qua	Ech	Fig No	Key No	Remarks
	1	2	3	4	5	6	7	8
			SECTION, RADIO FREQUENCY I AND II, 2A part of MODULE 2 (continued)					
1	5950-12-194-8765	3522 023 03450	COIL, RADIO FREQUENCY (L7)	1	4	10		
2	5950-12-194-8766	3522 023 06370	COIL, RADIO FREQUENCY (L6)	1	4	10		
3	5950-17-052-9104	3522 023 06390	COIL, RADIO FREQUENCY (L5)	1	4	10		
4	5950-17-052-9670	3522 023 06430	COIL, RADIO FREQUENCY (L9)	1	4	10		
5	5959-17-034-1520	4322 020 34410	CHOKE, RADIO FREQUENCY; (L4, L8)	2	4	10		
6	5935-17-052-8232	2422 062 10412	CONNECTOR, RECEPTABLE, ELECTRICAL	1	4	10	1	
7	5970-17-034-1940	3522 114 02200	INSULATOR, DISK; for Transistor TS1, TS2, TS4, TS5	4	4	10	2	
8	5970-17-036-0255	3522 114 02800	INSULATOR, PLATE; for Capacitor C1, C3, C5, C6, C8, C10, C11, C12, C14, C17, C19, C21, C22	13	4	10	3	
9	5999-17-050-2871	3522 114 11100	INSULATOR, PLATE; for Capacitor C6, C7, C16, C18	4	4	10	4	
10	5970-17-034-2555	3522 114 02500	INSULATOR, RING; for Coil L1	1	4	10	5	
11		2322 151 51002	RESISTOR, FIXED, FILM; 1 kohm 1 %; (R8, R9, R25, R26)	4	4	10		
12	5905-01-021-0991	2322 151 51003	RESISTOR, FIXED, FILM; 10 kohm 1 %; R4, R5, R17, R22, R34)	6	4	10		
13	5905-01-038-6293	2322 151 51004	RESISTOR, FIXED, FILM; 100 kohm 1 %; (R1, R2, R6, R7, R15, R18, R19, R23, R24, R32)	10	4	10		

Repair parts List RT-4600

Line No.	NATO Stocknumber	Mfg. Code No.	Description	Qua	Ech	Fig No	Key No	Remarks
	1	2	3	4	5	6	7	8
			SECTION, RADIO FREQUENCY I AND II, 2 A part of MODULE 2 (continued)					
1		2322 151 51009	RESISTOR, FIXED, FILM; 100 ohm 1 %; (R12, R29)	2	4	10		
2		2322 151 53161	RESISTOR, FIXED, FILM; 316 ohm 1 %; (R16, R33)	2	4	10		
3		2322 151 53163	RESISTOR, FIXED, FILM; 31,6 kohm 1 %; (R3, R20)	2	4	10		
4		2322 151 53169	RESISTOR, FIXED, FILM; 31,6 ohm 1 %; (R14, R31)	2	4	10		
5		2322 151 53831	RESISTOR, FIXED, FILM; 383 ohm 1 %; (R13, R30)	2	4	10		
6	5905-01-038-7843	2322 151 53832	RESISTOR, FIXED, FILM; 3,83 kohm 1 %; (R11, R28)	2	4	10		
7		2322 151 56812	RESISTOR, FIXED, FILM; 6,81 kohm 1 %; (R10, R27)	2	4	10		
8		3522 143 10100	SEMICONDUCTOR DEVICE, DIODE; type 6-BB109G (GR2, GR10)	2	4	10		
9	5961-12-196-0798	9334 632 90113	SEMICONDUCTOR DEVICE, DIODE; type BA482 (GR1, GR8, GR16)	3	4	10		
10	5961-12-196-0799	9332 979 90113	SEMICONDUCTOR DEVICE, DIODE; type BAS11 (GR9)	1	4	10		

Repair parts List RT-4600

Line No.	NATO Stocknumber	Mfg. Code No.	Description	Qua	Ech No	Fig No	Key No	Remarks
	1	2	3	4	5	6	7	8
			SECTION, RADIO FREQUENCY I AND II, 2A part of MODULE 2 (continued)					
1	5935-17-033-9978	2422 032 00188	TESTSOCKET; 1 female contact	4	4	10	6	
2		3522 030 04460	TRANSISTOR; type 2N2907A (TS1, TS4)	2	4	10		
3	5961-17-050-2831	9331 723 60112	TRANSISTOR; type BCY59/9 (TS2, TS5)	2	4	10		
4	5961-17-052-9100	9335 530 80112	TRANSISTOR; type ON598/02 (TS3, TS6)	2	4	10		
5	5820-17-052-3178	3522 156 00220	SECTION, RADIO FREQUENCY III AND MIXER STAGE AND DETECTOR, 2B	1	4	9	3	
			<u>secured with:</u>					
6	5305-17-033-8433	2522 001 08044	SCREW, FL-FIL-HD; br ni-pltd; type AM 2 x 5 NEN 1602	4	4			
7	5310-17-036-0809	2522 600 10151	WASHER; FLAT; br ni-pltd; type A 2,2 NEN 2269	4	4			
8	5310-17-033-4820	2522 613 03001	WASHER, LOCK; p-bz ni-pltd; type B 2,1 NEN 1197	4	4			
9		2222 630 01102	CAPACITOR, FIXED, CERAMIC DIELECTRIC; 1000 pF 10 %; 100 V (C6, C12)	2	4	11		
10	5910-17-047-4106	2222 630 01272	CAPACITOR, FIXED, CERAMIC DIELECTRIC; 2700 pF 10 %; 100 V (C20)	1	4	11		
11		2222 630 01472	CAPACITOR, FIXED, CERAMIC DIELECTRIC; 4700 pF 10 %, 100 V (C4, C5, C11, C13, C15 thru C18, C22, C24, C26, C27, C32)	13	4	11		

Repair parts List RT-4600

Line No.	NATO Stocknumber	Mfg. Code No.	Description	Qua	Ech	Fig No	Key No	Remarks
	1	2	3	4	5	6	7	8
			SECTION, RADIO FREQUENCY III AND MIXER STAGE AND DETECTOR 2B part of MODULE 2 (continued)					
1		2222 630 03472	CAPACITOR, FIXED, CERAMIC DIELECTRIC; 4700 pF 10 %, 100 V (C1 thru C3, C21, C23)	5	4	11		
2		2222 631 10109	CAPACITOR, FIXED, CERAMIC DIELECTRIC; 10 pF 2 %; 100 V (C10)	1	4	11		
3		2222 631 58271	CAPACITOR, FIXED, CERAMIC DIELECTRIC; 270 pF 2 %; 100 V (C28)	1	4	11		
4		2222 638 10101	CAPACITOR, FIXED, CERAMIC DIELECTRIC; 100 pF 2 %; 100 V (C29)	1	4	11		
5		2222 638 10109	CAPACITOR, FIXED, CERAMIC DIELECTRIC; 10 pF 2 %; 100 V (C8)	1	4	11		
6		2222 638 10279	CAPACITOR, FIXED, CERAMIC DIELECTRIC; 27 pF 2 %; 100 V (C30)	1	4	11		
7	5910-17-050-2819	2222 638 10479	CAPACITOR, FIXED, CERAMIC DIELECTRIC; 47 pF 2 %; 100 V (C25)	1	4	11		
8		2222 638 10829	CAPACITOR, FIXED, CERAMIC DIELECTRIC; 82 pF 2 %; 100 V (C19)	1	4	11		
9	5910-00-113-7672	3522 020 80800	CAPACITOR, FIXED, CERAMIC DIELECTRIC; 0,1 uF 10 %; 50 V (C31)	1	4	11		

Repair parts List RT-4600

Line No.	NATO Stocknumber	Mfg. Code No.	Description	Qua	Ech	Fig No	Key No	Remarks
	1	2	3	4	5	6	7	8
			SECTION, RADIO FREQUENCY III AND MIXER STAGE AND DETECTOR 2B part of MODULE 2 (continued)					
1	5910-17-052-9090	2222 809 05002	CAPACITOR, VARIABLE, PLASTIC DIELECTRIC; 9 pF (C7, C9, C14)	3	4	11		
2	5340-17-054-0280	3522 114 10600	CASE; for Coil L3, L4	1	4	11	7	
3	5950-17-034-1520	4322 020 34410	CHOKE, RADIO FREQUENCY (L5, L10)	2	4	11		
4	5950-00-043-0423	3522 030 09990	COIL, RADIO FREQUENCY; 22 uH 10 %; (L8)	1	4	11		
5	5950-01-004-7261	3522 020 10000	COIL, RADIO FREQUENCY; 33 uH 10 %; (L2)	1	4	11		
6	5950-17-052-9093	3522 020 81980	COIL, RADIO FREQUENCY; 2,2 uH, (L9)	1	4	11		
7	5950-12-194-8764	3522 023 03380	COIL, RADIO FREQUENCY; (L3, L4)	2	4	11		
8	5950-17-052-9103	3522 023 06380	COIL, RADIO FREQUENCY; (L6)	1	4	11		
9		3522 149 39521	COIL, RADIO FREQUENCY; (L7)	1	4	11		
10	5935-17-052-8232	2422 062 10412	CONNECTOR, RECEPTACLE, ELECTRICAL	2	4	11	1	
11		3522 020 62120	INDUCTOR; RADIO FREQUENCY; 33 uH (L1)	1	4	11		
12	5970-17-034-1940	3522 114 02200	INSULATOR, DISK; for Transistor TS1, TS2, TS5, TS6	4	4	11	5	
13	5970-17-036-0255	3522 114 02800	INSULATOR, PLATE; for Capacitor C4, C5, C6, C10 thru C13, C15 thru C18, C20, C24, C26 thru C28, C32 and diode GR1, GR2, GR15, GR16	22	4	11	4	

Repair parts List RT-4600

Line No.	NAVO Stocknumber	Mfg. Code No.	Description	Qua	Ech No	Fig No	Key No	Remarks
	1	2	3	4	5	6	7	8
1	5999-17-050-2871	3522 114 11100	SECTION, RADIO FREQUENCY III AND MIXER STAGE AND DETECTOR, 2B part of MODULE 2 (continued) INSULATOR, PLATE; for Capacitor C1, C2, C3, C8, C19, C21, C23, C25, C29 thru C31, and for diode GR13, GR14	13	4	11	3	
2	5970-17-034-2555	3522 114 02500	INSULATOR, RING; for Resistor R21, R22, R33, R38, for Coil L1, L2, L8, L 9, for Mixer U1	14	4	11	2	
3	4920-01-012-5707	3522 030 09880	MIXER, STAGE (U1)	1	4	11		
4	5820-17-054-4749	3522 114 08400	CONTACT, MALE; p-bz	4	4	11	6	
5		3522 114 11900	PLATE, ELECTRICAL SHIELD	1	4	9	6	
6		3522 114 12000	PLATE, ELECTRICAL SHIELD	1	4	9	7	
7	5905-01-031-9808	2322 151 51001	RESISTOR, FIXED, FILM; 100 ohm 1 %, (R23)	1	4	11		
8		2322 151 51002	RESISTOR, FIXED, FILM; 1 kohm 1%; (R3, R13, R14, R35, R43)	5	4	11		
9	5905-01-021-0991	2322 151 51003	RESISTOR, FIXED, FILM; 10 kohm 1 %; (R2, R5, R8, R10, R22, R29 thru R33, R36, R38)	12	4	11		

Repair parts List RT-4600

Line No.	NATO Stocknumber	Mfg. Code No.	Description	Qua	Ech No	Fig No	Key No	Remarks
	1	2	3	4	5	6	7	8
			<u>SECTION,RADIO FREQUENCY III AND MIXER</u> <u>STAGE AND DETECTOR, 2B part of MODULE</u> <u>2 (continued)</u>					
1	5905-01-038-6293	2322 151 51004	RESISTOR, FIXED, FILM; 100 kohm 1 %; (R7, R9, R11, R12, R19, R34)	6	4	11		
2		2322 151 51009	RESISTOR, FIXED, FILM; 10 ohm 1 %; (R17)	1	4	11		
3		2322 151 51213	RESISTOR, FIXED, FILM; 12,1 kohm 1 %; (R27)	1	4	11		
4		2322 151 52151	RESISTOR, FIXED, FILM; 215 ohm 1 %; (R26)	1	4	11		
5	5905-01-051-8087	2322 151 52153	RESISTOR, FIXED, FILM; 21,5 kohm 1 %; (R24)	1	4	11		
6		2322 151 52159	RESISTOR, FIXED, FILM; 21,5 ohm 1 %; (R25)	1	4	11		
7		2322 151 53161	RESISTOR, FIXED, FILM; 316 ohm 1 %, (R21, R37, R44)	3	4	11		
8		2322 151 53162	RESISTOR, FIXED, FILM; 3,16 kohm 1 %, (R39, R42)	2	4	11		
9		2322 151 53163	RESISTOR, FIXED, FILM; 31,6 kohm 1 %, (R6)	1	4	11		
10		2322 151 53169	RESISTOR, FIXED, FILM; 31,6 ohm 1 %; (R20)	1	4	11		

Repair parts List RT-4600

Line No.	NATO Stocknumber	Mfg. Code No.	Description	Qua	Ech	Fig No	Key No	Remarks
	1	2	3	4	5	6	7	8
			<u>SECTION,RADIO FREQUENCY III AND MIXER</u>					
			<u>STAGE AND DETECTOR, 2B part of MODULE</u>					
			<u>2 (continued)</u>					
1		2322 151 53831	RESISTOR, FIXED, FILM; 383 ohm 1 %; (R18)	1	4	11		
2	5905-01-038-7843	2322 151 53832	RESISTOR, FIXED, FILM; 3,83 kohm 1 %; (R16)	1	4	11		
3		2322 151 53839	RESISTOR, FIXED, FILM; 38,3 ohm 1 %; (R41)	1	4	11		
4		2322 151 54641	RESISTOR, FIXED, FILM; 464 ohm 1 %; (R1)	1	4	11		
5	5905-01-055-8908	2322 151 54649	RESISTOR, FIXED, FILM; 46,4 ohm 1 %; (R4)	1	4	11		
6		2322 151 56812	RESISTOR, FIXED, FILM; 6,81 kohm 1 %; (R15, R40)	2	4	11		
7		2322 151 56819	RESISTOR, FIXED, FILM; 68,1 ohm 1 %; (R28)	1	4	11		
8	5961-00-938-1135	3522 030 01430	SEMICONDUCTOR DEVICE, DIODE; type BAW62 (GR15, GR16)	2	4	11		
9		3522 143 10100	SEMICONDUCTOR DEVICE, DIODE; type 6-BB109G (GR6)	1	4	11		
10	5961-12-196-0798	9334 632 90113	SEMICONDUCTOR DEVICE, DIODE; type BA482 (GR4, GR5, GR12)	3	4	11		

Repair parts List RT-4600

Line No.	NAIO Stocknumber	Mfg. Code No.	Description	Qua	Ech	Fig No	Key No	Remarks
	1	2	3	4	5	6	7	8
			<u>SECTION, RADIO FREQUENCY III AND MIXER</u>					
			<u>STAGE AND DETECTOR, 2B part of MODULE</u>					
			<u>2 (continued)</u>					
1	5961-12-166-2464	9331 892 00113	SEMICONDUCTOR DEVICE, DIODE; type BAV20 (GR1, GR2)	2	4	11		
2		9335 722 80113	SEMICONDUCTOR DEVICE, DIODE; type BA244 (GR13, GR14)	2	4	11		
3	5961-12-196-0799	9332 979 90113	SEMICONDUCTOR DEVICE, DIODE; type BAS11 (GR3)	1	4	11		
4	5961-12-154-5828	9330 116 40112	TRANSISTOR; type BFY90 (TS4)	1	4	11		
5	5961-00-926-0237	3522 030 00100	TRANSISTOR; type BSX20 (TS5, TS6)	2	4	11		
6		3522 030 04460	TRANSISTOR; type 2N2907A (TS1)	1	4	11		
7	5961-17-050-2831	9331 723 60112	TRANSISTOR; type BCY59/9 (TS2)	1	4	11		
8	5961-17-052-9100	9335 530 80112	TRANSISTOR; type ON598/02 (TS3)	1	4	11		
			<u>MODULE, 2 (continued)</u>					
9		3522 114 99900	STRIP, PVC FOAM, SELFADH.	2	4	9	9	
10		3522 114 06000	SPACER; cr-ni-s	1	4	9	2	
11	5340-17-054-4729	3522 114 06100	SPACER; cr-ni-s	2	4	9	1	
			<u>secured with:</u>					
12		2522 600 64016	WASHER, FLAT; corr-res-s; type 3,2 NEN 2270	1	4			
13	5310-12-154-1360	2522 613 12005	WASHER, LOCK; corr-res-s; type B 3,1 NEN 1197	1	4			

Repair parts List RT-4600

Line No.	NAVO Stocknumber	Mfg. Code No.	Description	Qua	Ech No	Fig No	Key No	Remarks
	1	2	3	4	5	6	7	8
1	5820-17-052-3086	3522 154 00200	<u>MODULE , 3</u> consisting of the following spare parts:	1	3	2	6	
2		3522 156 00320	AMPLIFIER, INTERMEDIATE FREQUENCY, 3 A	1	4	13	1	
3	5305-17-033-8433	2522 001 08044	<u>secured with:</u> SCREW, FL-FIL-HD; br ni-pltd; type AM 2 x 5 NEN 1602	4	4			
4	5310-17-036-0809	2522 600 10151	WASHER, FLAT; br ni-pltd; type 2,2 NEN 2269	4	4			
5	5310-17-033-4820	2522 613 03001	WASHER, LOCK; p-bz ni-pltd; type B 2,1 NEN 1197	4	4			
6		2222 630 01472	CAPACITOR, FIXED, CERAMIC DIELECTRIC; 4700 pF 10 %; 100 V; (C3, C5, C7, C10 C11)	5	4	13		
7		2222 630 03472	CAPACITOR, FIXED, CERAMIC DIELECTRIC; 4700 pF 10 %; 100 V (C15, C16)	2	4	13		
8		2222 631 34339	CAPACITOR, FIXED, CERAMIC DIELECTRIC; 33 pF 2 %; 100 V; (C4, C6, C8, C9)	4	4	13		
9		2222 631 34399	CAPACITOR, FIXED, CERAMIC DIELECTRIC; 39 pF 2 %; 100 V (C1, C2)	2	4	13		

Repair parts List RT-4600

Line No.	NATO Stocknumber	Mfg. Code No.	Description	Qua	Ech	Fig No	Key No	Remarks
	1	2	3	4	5	6	7	8
			AMPLIFIER, INTERMEDIATE FREQUENCY, 3A part of MODULE, 3 (continued)					
1		2222 638 10101	CAPACITOR, FIXED, CERAMIC DIELECTRIC; 100 pF 2 %; 100 V (C30)	1	4	13		
2	5910-17-052-6675	2222 638 10121	CAPACITOR, FIXED, CERAMIC DIELECTRIC; 120 pF 2 %; 100 V (C13, C34)	2	4	13		
3		2222 638 10189	CAPACITOR, FIXED, CERAMIC DIELECTRIC; 18 pF 2 %; 100 V (C12)	1	4	13		
4	5910-17-052-9881	2222 638 34151	CAPACITOR, FIXED, CERAMIC DIELECTRIC; 150 pF 2 %; 100 V (C32, C33)	2	4	13		
5		2222 638 58331	CAPACITOR, FIXED, CERAMIC DIELECTRIC; 330 pF 2 %; 100 V (C14, C18, C19, C36, C37, C39)	6	4	13		
6	5910-00-010-8721	3522 020 84000	CAPACITOR, FIXED, CERAMIC DIELECTRIC; 0,1 uF 10 %; 50 V; (C24, C31)	2	4	13		
7	5910-17-052-7786	2222 122 54339	CAPACITOR, FIXED, ELECTROLYTIC; 33 uF 50 %; 10 V (C40)	1	4	13		
8	5910-17-052-6657	2222 122 55109	CAPACITOR, FIXED, ELECTROLYTIC; 10 uF 50 %; 16 V (C35, C38)	2	4	13		
9	5910-17-052-7785	2222 122 56338	CAPACITOR, FIXED, ELECTROLYTIC; 3,3 uF 50 %; 25 V (C17, C20 thru C23, C25 thru C29)	10	4	13		

Repair parts List RT-4600

Line No.	NATO Stocknumber	Mfg. Code No.	Description	Qua	Bch	Fig No	Key No	Remarks
	1	2	3	4	5	6	7	8
			AMPLIFIER, INTERMEDIATE FREQUENCY, 3A part of MODULE, 3 (continued)					
1	5910-17-039-9478	2222 344 21104	CAPACITOR, FIXED, METALLIZED PAPER DIELECTRIC; 0,1 uF 10 %; 100 V (C41)	1	4	13		
2	5950-00-833-7820	3522 020 05170	COIL, RADIO FREQUENCY; 470 uH ± 5 % type LT10K028 (L9)	1	4	13		
3	5950-00-755-8586	3522 020 05190	COIL, RADIO FREQUENCY; 1000 uH ± 5 % (L10)	1	4	13		
4	5950-01-004-7261	3522 020 10000	COIL, RADIO FREQUENCY; 33 uH 10 % (L7, L8)	2	4	13		
5	5950-17-052-7783	3522 023 03190	COIL, RADIO FREQUENCY; 5,75 uH (L6)	1	4	13		
6	5950-17-052-7992	3522 023 03200	COIL, RADIO FREQUENCY; 4,8 uH (L1 thru L5)	5	4	13		
7	5935-17-052-8232	2422 062 10412	CONNECTOR, RECEPTACLE, ELECTRICAL	2	4	13	2	
8	5955-17-054-3541	3522 109 91661	CRYSTAL UNIT, QUARTZ (KT1)	1	4	13		
9	5915-17-052-9101	3522 020 83440	FILTER, BAND PASS (F2)	1	4	13		
10	5915-17-052-9617	3522 020 83450	FILTER, BAND PASS (F1)	1	4	13		
11	5962-17-052-9934	3522 242 46760	INTEGRATED CIRCUIT; type 0Q217 (U1)	1	4	13		
12	5962-17-052-9933	3522 242 46750	INTEGRATED CIRCUIT; type 0Q215 (U2)	1	4	13		
13	5970-17-034-1940	3522 114 02200	INSULATOR, DISK; for Transistor TS1 thru TS9	9	4	13	3	
14	5970-17-036-0255	3522 114 02800	INSULATOR, PLATE; for Capacitor	13	4	13	5	

Repair parts List RT-4600

Line No.	NATO Stocknumber	Mfg. Code No.	Description	Qua	Ech	Fig No	Key No	Remarks
	1	2	3	4	5	6	7	8
			AMPLIFIER, INTERMEDIATE FREQUENCY, 3A part of MODULE, 3 (continued)					
1	5365-17-050-2872	3522 114 10800	INSULATOR, PLATE; for Crystal KT1	2	4	13	6	
2	5999-17-050-2871	3522 114 11100	INSULATOR, PLATE; for Capacitor	13	4	13	4	
3	5970-17-034-2555	3522 114 02500	INSULATOR, RING; for Coil L1 thru L6	12	4	13	7	
4	5905-01-031-9808	2322 151 51001	RESISTOR, FIXED, FILM; 100 ohm 1 %; (R16, R17, R22, R23, R34)	5	4	13		
5		2322 151 51002	RESISTOR, FIXED, FILM; 1 kohm 1 %; (R40)	1	4	13		
6	5905-01-021-0991	2322 151 51003	RESISTOR, FIXED, FILM; 10 kohm 1 %; (R19, R20, R32, R33, R43)	5	4	13		
7	5905-01-038-6293	2322 151 51104	RESISTOR, FIXED, FILM; 110 kohm 1 %; (R39)	1	4	13		
8		2322 151 51212	RESISTOR, FIXED, FILM; 1,21 kohm 1 %; (R6, R11)	2	4	13		
9		2322 151 51213	RESISTOR, FIXED, FILM; 12,1 kohm 1 %; (R29, R31)	2	4	13		
10		2322 151 51479	RESISTOR, FIXED, FILM; 14,7 ohm 1 %; (R5, R9)	2	4	13		
11		2322 151 51781	RESISTOR, FIXED, FILM; 178 ohm 1 %; (R27)	1	4	13		
12		2322 151 51782	RESISTOR, FIXED, FILM; 1,78 kohm 1 %; (R30)	1	4	13		

Repair parts List RT-4600

Line No.	NATO Stocknumber	Mfg. Code No.	Description	Qua	Ech	Fig No	Key No	Remarks
	1	2	3	4	5	6	7	8
			AMPLIFIER, INTERMEDIATE FREQUENCY, 3A part of MODULE, 3 (continued)					
1		2322 151 51789	RESISTOR, FIXED, FILM; 17,8 ohm 1 %; (R14)	1	4	13		
2	5905-01-051-8087	2322 151 52153	RESISTOR, FIXED, FILM; 21,5 kohm 1 %; (R35, R36)	2	4	13		
3		2322 151 52372	RESISTOR, FIXED, FILM; 2,37 kohm 1 %; (R13)	1	4	13		
4		2322 151 52612	RESISTOR, FIXED, FILM; 2,61 kohm 1 %; (R42)	1	4	13		
5	5905-01-096-8509	2322 151 52614	RESISTOR, FIXED, FILM; 261 kohm 1 %; (R37)	1	4	13		
6		2322 151 53162	RESISTOR, FIXED, FILM; 3,16 kohm 1 %; (R18)	1	4	13		
7		2322 151 53169	RESISTOR, FIXED, FILM; 31,6 ohm 1 %; (R4)	1	4	13		
8	5905-01-038-7843	2322 151 53832	RESISTOR, FIXED, FILM; 3,83 kohm 1 %; (R2)	1	4	13		
9		2322 151 53834	RESISTOR, FIXED, FILM; 383 kohm 1 %; (R38)	1	4	13		
10	5905-01-078-6611	2322 151 54642	RESISTOR, FIXED, FILM; 4,64 kohm 1 %; (R1, R26, R28)	3	4	13		

Repair parts List RT-4600

Line No.	NAIO Stocknumber	Mfg. Code No.	Description	Qua	Ech No	Fig No	Key No	Remarks
	1	2	3	4	5	6	7	8
1		2322 151 55621	AMPLIFIER, INTERMEDIATE FREQUENCY, 3A part of MODULE, 3 (continued) RESISTOR, FIXED, FILM; 562 ohm 1 %; (R24)	1	4	13		
2		2322 151 55622	RESISTOR, FIXED, FILM; 5,62 kohm 1 %; (R7, R8, R10, R12, R41)	5	4	13		
3		2322 151 56491	RESISTOR, FIXED, FILM; 649 ohm 1 %; (R15)	1	4	13		
4		2322 151 56812	RESISTOR, FIXED, FILM; 6,81 kohm 1 %; (R3)	1	4	13		
5		2322 151 59092	RESISTOR, FIXED, FILM; 9,09 kohm 1 %; (R25)	1	4	13		
6	5961-00-938-1135	3522 030 01430	SEMICONDUCTOR DEVICE, DIODE; type BAW 62 (GR1 thru GR4)	4	4	13		
7	5950-12-194-9499	3522 023 06340	TRANSFORMER, RADIO FREQUENCY (T1)	1	4	13		
8	5961-12-154-5828	9330 116 40112	TRANSISTOR; type BFY 90 (TS1)	1	4	13		
9	5961-00-926-0237	3522 030 00100	TRANSISTOR; type BSX 20 (TS2, TS3)	2	4	13		
10		3522 030 04460	TRANSISTOR; type 2N2907A (TS9)	1	4	13		
11	5961-17-052-9847	9331 723 60112	TRANSISTOR; type BCY 59/9 (TS 4 thru TS8)	5	4	13		

Repair parts List RT-4600

Line No.	NAIO Stocknumber	Mfg. Code No.	Description	Qua	Ech	Fig No	Key No	Remarks
	1	2	3	4	5	6	7	8
1	5820-17-054-4730	3522 114 06200	<u>MODULE , 3 (continued)</u> BRACKET; cd-pltd	1	4	12	3	
2	5820-17-054-4739	3522 114 06800	BRACKET; cd-pltd	1	4	12	2	
3	5820-17-054-5865	3522 114 09000	BRACKET; cr-s	1	4	12	7	
4	5340-17-054-0100	3522 114 06600	COVER; for module <u>secured with:</u>	1	4	12	1	
5		2522 001 17097	SCREW, FL-FIL-HD; corr-res-s; type AM 3 x 6 DIN 84	2	4			
6	5310-12-154-1360	2522 613 12005	WASHER, LOCK; corr-res-s; type B 3,1 NEN 1197	2	4			
7	5315-17-052-4490	3522 114 04300	PIN, PILOT; cr-ni-s; M 2; tot. l 12,5 mm	1	4	12	4	
8	5315-17-052-4489	3522 114 04500	PIN, PILOT; cr-ni-s; M 2; tot. l 12,5 mm	2	4	12	6	
9	5340-17-052-4518	3522 114 06300	SPACER; cr-ni-s	1	4	12	5	
10	5820-17-052-3309	3522 156 00420	SQUELCH DETECTOR AND TONE GEN., 3 B <u>secured with:</u>	1	4	14	1	
11	5305-17-033-8433	2522 001 08044	SCREW, FL-FIL-HD; br ni-pltd; type AM 2 x 5 NEN 1602	4	4			
12	5310-17-036-0809	2522 600 10151	WASHER, FLAT; br ni-pltd; type 2,2 NEN 2269	4	4			
13	5310-17-033-4820	2422 613 03001	WASHER, LOCK; p-bz ni-pltd; type B 2,1 NEN 1197	4	4			

Repair parts List RT-4600

Line No.	NATO Stocknumber	Mfg. Code No.	Description	Qua	Ech No	Fig No	Key No	Remarks
	1	2	3	4	5	6	7	8
			SQUELCH DETECTOR AND TONE GENERATOR, 3B part of MODULE 3 (continued)					
1		2222 630 01472	CAPACITOR, FIXED, CERAMIC DIELECTRIC; 4700 pF 10 %; 100 V (C15, C16)	2	4	14		
2	5910-17-052-7785	2222 122 56338	CAPACITOR, FIXED, ELECTROLYTIC; 3,3 uF 50 %; 25 V (C1, C2)	2	4	14		
3	5910-17-052-7784	2222 122 57108	CAPACITOR, FIXED, ELECTROLYTIC; 1 uF 50 %, 40 V (C3)	1	4	14		
4		3522 030 00740	CAPACITOR, FIXED, ELECTROLYTIC; 22 uF 15 V; (C13)	1	4	14		
5		3522 030 00790	CAPACITOR, FIXED, ELECTROLYTIC; 2,2 uF 20 V (C12)	1	4	14		
6	5910-17-039-0350	2222 344 21224	CAPACITOR, FIXED, METALLIZED PAPER DIELECTRIC; 0,22 uF 10 % 100 V (C6, C10, C11, C14)	4	4	14		
7	5910-17-046-2553	2222 344 51153	CAPACITOR, FIXED, METALLIZED PAPER DIELECTRIC; 15000 pF 10 %; 400 V; (C4, C5)	2	4	14		
8	5910-17-052-9636	2222 344 51183	CAPACITOR, FIXED, METALLIZED PAPER DIELECTRIC; 18000 pF 10 %; 400 V; (C8)	1	4	14		
9	5935-17-052-8232	2422 062 10412	CONNECTOR, RECEPTACLE, ELECTRICAL	2	4	14	2	

Repair parts List RT-4600

Line No.	NATO Stocknumber	Mfg. Code No.	Description	Qua	Ech	Fig No	Key No	Remarks
	1	2	3	4	5	6	7	8
1	5970-17-034-1940	3522 114 02200	<u>SQUELCH DETECTOR AND TONE GENERATOR,</u> <u>3B part of MODULE 3 (continued)</u>	12	4	14	3	
2	5970-17-036-0255	3522 114 02800	INSULATOR, DISK; for Transistor TS1 thru TS12	2	4	14	4	
3	5962-00-453-7715	3522 020 82590	INSULATOR, PLATE; for Capacitor C15, C16	3	4	14		
4	5905-01-021-0991	2322 151 51003	INTEGRATED CIRCUIT; type TBA222 (U1 thru U3)	1	4	14		
5	5905-01-038-6293	2322 151 51004	RESISTOR, FIXED, FILM; 10 kohm 1 %; (R8)	2	4	14		
6		2322 151 51009	RESISTOR, FIXED, FILM; 100 kohm 1 %; (R2, R9)	1	4	14		
7		2322 151 51213	RESISTOR, FIXED, FILM; 10 ohm 1 %; (R25)	2	4	14		
8		2322 151 51473	RESISTOR, FIXED, FILM; 12,1 kohm 1 %; (R33, R42)	1	4	14		
9	5905-01-086-1704	2322 151 51474	RESISTOR, FIXED, FILM; 14,7 kohm 1 %; (R24)	1	4	14		
10		2322 151 51782	RESISTOR, FIXED, FILM; 147 kohm 1 %; (R53)	1	4	14		
			RESISTOR, FIXED, FILM; 1,78 kohm 1 %; (R23)	1	4	14		

Repair parts List RT-4600

Line No.	NATO Stocknumber	Mfg. Code No.	Description	Qua	Ech	Fig No	Key No	Remarks
	1	2	3	4	5	6	7	8
			<u>SQUELCH DETECTOR AND TONE GENERATOR,</u> <u>3B part of MODULE 3 (continued)</u>					
1		2322 151 51784	RESISTOR, FIXED, FILM; 178 kohm 1 %; (R29)	1	4	14		
2	5905-01-015-8087	2322 151 52153	RESISTOR, FIXED, FILM; 21,5 kohm 1 %; (R6, R31, R32, R36, R38, R40)	6	4	14		
3		2322 151 52613	RESISTOR, FIXED, FILM; 26,1 kohm 1 %; (R21)	1	4	14		
4	5905-01-096-8509	2322 151 52614	RESISTOR, FIXED, FILM; 261 kohm 1 %; (R1, R19, R43, R44, R51)	5	4	14		
5		2322 151 53163	RESISTOR, FIXED, FILM; 31,6 kohm 1 %; (R17, R34, R50)	3	4	14		
6	5905-01-038-7843	2322 151 53832	RESISTOR, FIXED, FILM; 3,83 kohm 1 %; (R28)	1	4	14		
7		2322 151 54641	RESISTOR, FIXED, FILM; 464 ohm 1 %; (R22)	1	4	14		
8	5905-01-078-6611	2322 151 54642	RESISTOR, FIXED, FILM; 4,64 kohm 1 %; (R5)	1	4	14		
9	5905-01-057-3031	2322 151 54643	RESISTOR, FIXED, FILM; 46,4 kohm 1 %; (R34, R45)	2	4	14		
10		2322 151 55622	RESISTOR, FIXED, FILM; 5,62 kohm 1 %; (R15)	1	4	14		

Repair parts List RT-4600

Line No.	NATO Stocknumber	Mfg. Code No.	Description	Qua	Ech	Fig No	Key No	Remarks
	1	2	3	4	5	6	7	8
			<u>SQUELCH DETECTOR AND TONE GENERATOR,</u> <u>3 B part of MODULE 3 (continued)</u>					
1		2322 151 55623	RESISTOR, FIXED, FILM; 56,2 kohm 1 %; (R14, R39, R47, R48)	4	4	14		
2		2322 151 56193	RESISTOR, FIXED, FILM; 61,9 kohm 1 %; (R30)	1	4	14		
3		2322 151 57153	RESISTOR, FIXED, FILM; 71,5 kohm 1 %, (R10 thru R12, R16, R18, R26)	6	4	14		
4	5905-01-021-1493	2322 151 58252	RESISTOR, FIXED, FILM; 8,25 kohm 1 %; (R37)	1	4	14		
5		2322 152 51005	RESISTOR, FIXED, FILM; 1 mohm 1 %; (R41)	1	4	14		
6	5905-17-052-9613	2122 350 00046	RESISTOR, VARIABLE; 20 kohm 10 %; 0,75 W; (R7)	1	4	14		
7	5905-17-052-9612	2122 350 00049	RESISTOR, VARIABLE; 50 kohm 10 %; 0,75 W; (R20)	1	4	14		
8	5905-17-052-9615	3522 030 00360	RESISTOR, VARIABLE; 10 kohm 20 %; 0,5 W (R49)	1	4	14		
9	5905-12-190-6646	3522 030 00380	RESISTOR, VARIABLE; 47 kohm 20 %; 0,5 W (R13)	1	4	14		
10	5961-00-938-1135	3522 030 01430	SEMICONDUCTOR DEVICE, DIODE; type BAW62 (GR1 thru GR11)	11	4	14		

Repair parts List RT-4600

Line No.	NATO Stocknumber	Mfg. Code No.	Description	Qua	Ech	Fig No	Key No	Remarks
	1	2	3	4	5	6	7	8
1	5961-12-178-5777	9331 185 60113	<u>SQUELCH DETECTOR AND TONE GENERATOR,</u> <u>3 B part of MODULE 3 (continued)</u>	2	4	14		
2	5950-17-052-9106	3522 149 39451	SEMICONDUCTOR DEVICE, DIODE; type BAV10 (GR12, GR13)	1	4	14		
3		3522 030 04460	TRANSFORMER, RADIO FREQUENCY (T1) TRANSISTOR; type 2N2907A (TS4, TS7, TS10 thru TS12)	5	4	14		
4	5961-01-082-1982	9331 066 80112	TRANSISTOR; type 2N4857 (TS1, TS2)	2	4	14		
5	5961-17-050-2831	9331 723 60112	TRANSISTOR; type BCY59/9 (TS3, TS5, TS6, TS8, TS9)	5	4	14		

Repair parts List RT-4600

Line No.	NATO Stocknumber	Mfg. Code No.	Description	Qua	Ech	Fig No	Key No	Remarks
	1	2	3	4	5	6	7	8
1	5820-17-052-3087	3522 154 00300	MODULE, 4 <u>consisting of the following spare parts:</u>	1	3	2	7	
2	5820-17-054-4730	3522 114 06200	BRACKET; cd-pltd	1	4	12	3	
3	5820-17-054-4739	3522 114 06800	BRACKET; cd-pltd	1	4	12	2	
4	5820-17-054-5865	3522 114 09000	BRACKET; cr-s	1	4	12	7	
5	5340-17-054-0100	3522 114 06600	COVER; for module	1	4	12	1	
6		2522 001 17097	<u>secured with:</u> SCREW, FL-FIL-HD; corr-res-s; type AM 3 x 6 NEN 1602	2	4			
7	5310-12-154-1360	2522 613 12005	WASHER, LOCK; corr-res-s;	2	4			
8	5315-17-052-4490	3522 114 04300	type B 3,1 NEN 1197 PIN, PILOT; cr ni-s; M 2;	1	4	12	4	
9	5315-17-052-4489	3522 114 04500	tot. 1 12,5 mm PIN, PILOT; cr ni-s; M 2;	2	4	12	6	
10	5340-17-052-4518	3522 114 06300	tot. 1 12,5 mm SPACER; cr-ni-s	1	4	12	5	
11	5820-17-052-3310	3522 156 00620	TRANSMITTER LOOP, PRESET AND PHASE- DETECTOR, 4 B	1	4	16	1	
12	5305-17-033-8433	2522 001 08044	<u>secured with:</u> SCREW, FL-FIL-HD; br ni-pltd; type AM 2 x 5 NEN 1602	4	4			

Repair parts List RT-4600

Line No.	NATO Stocknumber	Mfg. Code No.	Description	Qua	Ech	Fig No	Key No	Remarks
	1	2	3	4	5	6	7	8
			<u>TRANSMITTER LOOP, PRESET AND PHASE</u> <u>DETECTOR, 4B part of MODULE 4</u> <u>(continued)</u>					
1	5310-17-036-0809	2522 600 10151	WASHER, FLAT; br ni-pltd;	4	4			
2	5310-17-033-4820	2522 613 03001	type A 2,2 NEN 2269 WASHER, LOCK; p-bz ni-pltd;	4	4			
3	5910-17-047-4106	2222 630 01272	type B 2,1 NEN 1197 CAPACITOR, FIXED, CERAMIC DIELECTRIC;	1	4	16		
4		2222 630 01472	2700 pF 10 %; 100 V; (C26) CAPACITOR, FIXED, CERAMIC DIELECTRIC;	2	4	16		
5		2222 630 03472	4700 pF 10 %; 100 V; (C9, C22) CAPACITOR, FIXED, CERAMIC DIELECTRIC;	3	4	16		
6		2222 631 09478	4700 pF 10 %; 100 V; (C7, C12, C18) CAPACITOR, FIXED, CERAMIC DIELECTRIC;	1	4	16		
7		2222 638 10279	4,7 pF; 100 V; (C25) CAPACITOR, FIXED, CERAMIC DIELECTRIC;	1	4	16		
8		2222 638 58101	27 pF 2 %; 100 V; (C3) CAPACITOR, FIXED, CERAMIC DIELECTRIC;	1	4	16		
9		2222 638 58221	100 pF 2 %; 100 V; (C10) CAPACITOR, FIXED, CERAMIC DIELECTRIC;	1	4	16		
10		2222 638 58331	220 pF 2 %; 100 V; (C16) CAPACITOR, FIXED, CERAMIC DIELECTRIC;	1	4	16		
			330 pF 2 %; 100 V; (C21)	1	4	16		

Repair parts List RT-4600

Line No.	NATO Stocknumber	Mfg. Code No.	Description	Qua	Ech	Fig No	Key No	Remarks
	1	2	3	4	5	6	7	8
			<u>TRANSMITTER LOOP, PRESET AND PHASE-DETECTOR, 4 B part of MODULE 4</u> (continued)					
1		2222 638 58569	CAPACITOR, FIXED, CERAMIC DIELECTRIC; 56 pF 2 %; 100 V; (C13, C14)	2	4	16		
2	5910-00-010-8721	3522 020 84000	CAPACITOR, FIXED, CERAMIC DIELECTRIC; 0,1 mF 10 %; 100 V; (C11)	1	4	16		
3	5910-17-052-7788	2222 122 55159	CAPACITOR, FIXED, ELECTROLYTIC; 15 uF 50 %; 16 V (C23)	1	4	16		
4	5910-17-052-9892	2222 122 55338	CAPACITOR, FIXED, ELECTROLYTIC; 3,3 uF 50 %, 16 V (C1, C4, C20, C24)	4	4	16		
5	5910-17-052-7787	2222 122 55478	CAPACITOR, FIXED, ELECTROLYTIC; 4,7uF 50 %; 16 V (C5)	1	4	16		
6	5910-17-052-7784	2222 122 57108	CAPACITOR, FIXED, ELECTROLYTIC; 1 uF 50 %, 40 V (C2)	1	4	16		
7	5910-17-052-6658	2222 122 57337	CAPACITOR, FIXED, ELECTROLYTIC; 330 N 50 %; 40 V (C8, C17, C19)	3	4	16		
8	5910-17-053-1293	3522 030 00910	CAPACITOR, FIXED, ELECTROLYTIC; 1 uF; 35 V (C6)	1	4	16		
9	5910-17-052-9090	2222 809 05002	CAPACITOR, VARIABLE, PLASTIC DIELECTRIC; 9 pF (C15)	1	4	16		
10	5950-17-052-9097	3522 023 03270	COIL, RADIO FREQUENCY; 1,55 uH (L1)	1	4	16		
11	5935-17-052-8023	2422 062 10612	CONNECTOR, RECEPTACLE, ELECTRICAL	2	4	16		

Repair parts List RT-4600

Line No.	NATO Stocknumber	Mfg. Code No.	Description	Qua	Ech	Fig No	Key No	Remarks
	1	2	3	4	5	6	7	8
			<u>TRANSMITTER LOOP, PRESET AND PHASE-DETECTOR, 4 B part of MODULE 4 (continued)</u>					
1	5970-17-034-1940	3522 114 02200	INSULATOR, DISC; for Transistor TS1 thru TS18)	18	4	16	2	
2	5970-17-036-0255	3522 114 02800	INSULATOR, PLATE; for Capacitor C9, C22, C25, C26	4	4	16	4	
3	5999-17-050-2871	3522 114 11100	INSULATOR, PLATE; for Capacitor C3, C6, C7, C10, thru C14, C16, C18, C21	11	4	16	3	
4	5970-17-034-2555	3522 114 02500	INSULATOR, RING; for Coil L1 and transformer T1	4	4	16	5	
5	5962-01-057-5331	3522 023 08800	INTEGRATED CIRCUIT (U1)	1	4	16		
6		3522 030 13850	INTEGRATED CIRCUIT (U2)	1	4	16		
7	5905-01-031-9808	2322 151 51001	RESISTOR, FIXED, FILM; 100 ohm 1 %; (R1, R19, R26)	3	4	16		
8		2322 151 51002	RESISTOR, FIXED, FILM; 1 kohm 1 %; (R23, R30)	2	4	16		
9	5905-01-021-0991	2322 151 51003	RESISTOR, FIXED, FILM; 10 kohm 1 %; (R3, R24, R25, R54, R62, R67)	6	4	16		
10	5905-01-038-6293	2322 151 51004	RESISTOR, FIXED, FILM; 100 kohm 1 % R4 thru R10, R17, R59)	9	4	16		
11		2322 151 51212	RESISTOR, FIXED, FILM; 1,21 kohm 1 %; (R35)	1	4	16		

Repair parts List RT-4600

Line No.	NATO Stocknumber	Mfg. Code No.	Description	Qua	Ech	Fig No	Key No	Remarks
	1	2	3	4	5	6	7	8
			<u>TRANSMITTER LOOP, PRESET AND PHASE-DETECTOR, 4 B part of MODULE 4</u> (continued)					
1		2322 151 51472	RESISTOR, FIXED, FILM; 1,47 kohm 1 %; (R40)	1	4	16		
2		2322 151 51782	RESISTOR, FIXED, FILM; 1,78 kohm 1 %; (R34)	1	4	16		
3		2322 151 52151	RESISTOR, FIXED, FILM; 215 ohm 1 %; (R31)	1	4	16		
4		2322 151 52152	RESISTOR, FIXED, FILM; 2,15 kohm 1 %; (R29, R58, R61)	3	4	16		
5	5905-01-015-8087	2322 151 52153	RESISTOR, FIXED, FILM; 21,5 kohm 1 %; (R49 thru R51, R68)	4	4	16		
6		2322 151 52611	RESISTOR, FIXED, FILM; 261 ohm 1 %; (R27)	1	4	16		
7		2322 151 52612	RESISTOR, FIXED, FILM; 2,61 kohm 1 %; (R32, R63)	2	4	16		
8		2322 151 52613	RESISTOR, FIXED, FILM; 26,1 kohm 1 %; (R71)	1	4	16		
9	5905-01-096-8509	2322 151 52614	RESISTOR, FIXED, FILM; 261 kohm 1 %; (R46, R52, R55, R56)	4	4	16		
10		2322 151 52619	RESISTOR, FIXED, FILM; 26,1 ohm 1 %; (R65)	1	4	16		

Repair parts List RT-4600

Line No.	NATO Stocknumber	Mfg. Code No.	Description	Qua	Ech No	Fig No	Key No	Remarks
	1	2	3	4	5	6	7	8
			TRANSMITTER LOOP, PRESET AND PHASE- DETECTOR, 4 B part of MODULE 4 (continued)					
1		2322 151 53161	RESISTOR, FIXED, FILM; 316 ohm 1 %; (R36)	1	4	16		
2		2322 151 53162	RESISTOR, FIXED, FILM; 3,16 kohm 1 %; (R33, R72)	2	4	16		
3		2322 151 53163	RESISTOR, FIXED, FILM; 31,6 kohm 1 %; (R18, R42, R43)	3	4	16		
4	5905-01-038-7843	2322 151 53832	RESISTOR, FIXED, FILM; 3,83 kohm 1 %; (R38, R44)	2	4	16		
5		2322 151 53833	RESISTOR, FIXED, FILM; 38,3 kohm 1 %; (R21)	1	4	16		
6	5905-01-078-6611	2322 151 54642	RESISTOR, FIXED, FILM; 4,64 kohm 1 %; (R66)	1	4	16		
7	5905-01-057-3031	2322 151 54643	RESISTOR, FIXED, FILM; 46,4 kohm 1 %; (R2, R48, R57, R60, R70)	5	4	16		
8	5905-01-055-8908	2322 151 54649	RESISTOR, FIXED, FILM; 46,4 ohm 1 %; (R41)	1	4	16		
9		2322 151 54993	RESISTOR, FIXED, FILM; 49,9 kohm 1 %; (R11 thru R16)	6	4	16		
10		2322 151 55622	RESISTOR, FIXED, FILM; 5,62 kohm 1 %; (R45)	1	4	16		

Repair parts List RT-4600

Line No.	NATO Stocknumber	Mfg. Code No.	Description	Qua	Ech	Fig No	Key No	Remarks
	1	2	3	4	5	6	7	8
			TRANSMITTER LOOP, PRESET AND PHASE- DETECTOR, 4 B part of MODULE 4 (continued)					
1		2322 151 55623	RESISTOR, FIXED, FILM; 56,2 kohm 1 %; (R20, R64, R69)	3	4	16		
2		2322 151 56812	RESISTOR, FIXED, FILM; 6,81 kohm 1 %; (R37)	1	4	16		
3		2322 151 56813	RESISTOR, FIXED, FILM; 68,1 kohm 1 %; (R22)	1	4	16		
4		2322 151 56819	RESISTOR, FIXED, FILM; 68,1 ohm 1%; (R39)	1	4	16		
5		2322 151 58251	RESISTOR, FIXED, FILM; 825 ohm 1%; (R53)	1	4	16		
6	5905-01-021-1493	2322 151 58252	RESISTOR, FIXED, FILM; 8,25 kohm 1 %; (R28)	1	4	16		
7		2322 241 13275	RESISTOR, FIXED, FILM; 2,7 Mohm 5 %; (R47)	1	4	16		
8		2322 211 13105	RESISTOR, FIXED, FILM; 1 Mohm 5%; (R73)	1	4	16		
9	5961-00-938-1135	3522 030 01430	SEMICONDUCTOR DEVICE, DIODE; type BAW62 (GR1 thru GR7, GR10, GR12, GR13)	10	4	16		
10	5961-17-041-7597	9331 177 50113	SEMICONDUCTOR DEVICE, DIODE; type BZX79/C6V8 (GR14)	1	4	16		
11	5961-17-039-0128	3522 059 64760	SEMICONDUCTOR DEVICE, DIODE; type HP5082-2811 (GR8, GR9)	2	4	16		
12	5950-17-052-7884	3522 023 06180	TRANSFORMER (T1)	1	4	16		

Repair parts List RT-4600

Line No.	NATO Stocknumber	Mfg. Code No.	Description	Qua	Ech	Fig No	Key No	Remarks
	1	2	3	4	5	6	7	8
			<u>TRANSMITTER LOOP, PRESET AND PHASE-DETECTOR, 4 B part of MODULE 4</u>					
			<u>(continued)</u>					
1	5961-12-154-5828	9330 116 40112	TRANSISTOR; type BFY90 (TS4, TS6)	2	4	16		
2	5961-00-926-0237	3522 030 00100	TRANSISTOR; type BSX20 (TS5, TS7, TS8)	3	4	16		
3	5961-17-052-9093	9330 537 40112	TRANSISTOR; type BFW13 (TS9)	1	4	16		
4		3522 030 04460	TRANSISTOR; type 2N2907A (TS3, TS12, TS15, TS16)	4	4	16		
5	5961-17-050-2831	9331 723 60112	TRANSISTOR; type BCY59/9 (TS1, TS2, TS10, TS11, TS13, TS14, TS17, TS18)	8	4	16		

Repair parts List RT-4600

Line No.	NATO Stocknumber	Mfg. Code No.	Description	Qua	Ech	Fig No	Key No	Remarks
	1	2	3	4	5	6	7	8
1			<u>MODULE 4 (continued)</u> TRANSMITTER OSCILLATOR AND MIXER STAGE, 4A	1	4	15	1	
2	5305-17-033-8433	3522 156 00520	<u>secured with:</u> SCREW, FL-FIL-HD; br ni-pltd; type AM 2 x 5 NEN 1602	4	4			
3	5310-17-036-0809	2522 001 08044	WASHER, FLAT; br-ni-pltd;	4	4			
4	5310-17-033-4820	2522 600 10151	type A 2,2 NEN 2269 WASHER, LOCK; p-bz ni-pltd;	4	4			
5		2222 630 03472	type B 2,1 NEN 1197 CAPACITOR, FIXED, CERAMIC DIELECTRIC;	29	4	15		
6		2222 638 09478	4700 pF 10%; 100V; (C10, C12 thru C16 C20, C22 thru C30, C33 thru C40, C42 thru C46, C50 thru C53, C57, C58)	1	4	15		
7		2222 638 10689	CAPACITOR, FIXED, CERAMIC DIELECTRIC; 4,7 pF 100 V; (C47)	2	4	15		
8	5910-17-052-9881	2222 638 34151	68 pF 2 %; 100 V; (C55, C59) CAPACITOR, FIXED, CERAMIC DIELECTRIC; 150 pF 2%; 100V; (C11, C21, C31,C41, C54,	5	4	15		
9	5910-17-052-9927	2222 638 58181	CAPACITOR, FIXED, CERAMIC DIELECTRIC; 180 pF 2 %; 100 V; (C60)	1	4	15		

Repair parts List RT-4600

Line No.	NATO Stocknumber	Mfg. Code No.	Description	Qua	Ech No	Fig No	Key No	Remarks
	1	2	3	4	5	6	7	8
			TRANSMITTER OSCILLATOR AND MIXER STAGE, 4A part of MODULE 4 (continued)					
1		2222 638 58331	CAPACITOR, FIXED, CERAMIC DIELECTRIC; 330 pF 2 %; 100 V; (C56)	1	4	15		
2	5950-00-755-8586	3522 020 05190	COIL, RADIO FREQUENCY; 1000 uH 5 % (L6)	1	4	15		
3	5950-01-004-7261	3522 020 10000	COIL, RADIO FREQUENCY; 33 uH 10 %; (L1 thru L5)	5	4	15		
4	5950-17-052-9095	3522 023 03220	COIL, RADIO FREQUENCY; (T1)	1	4	15		
5	5950-17-052-9096	3522 023 03230	COIL, RADIO FREQUENCY; (T2, T3)	2	4	15		
6	5950-17-052-9097	3522 023 03270	COIL, RADIO FREQUENCY; (T6)	1	4	15		
7	5950-17-052-7993	3522 023 06190	COIL, RADIO FREQUENCY; (T4)	1	4	15		
8	5950-17-052-9105	3522 149 39441	COIL, RADIO FREQUENCY; (T5)	1	4	15		
9	5935-17-052-8232	2422 062 10412	CONNECTOR, RECEPTACLE, ELECTRICAL	2	4	15	5	
10	5950-00-035-4420	3522 020 62120	INDUCTOR, RADIO FREQUENCY; 33 uH (L7 thru L10)	4	4	15		
11	5970-17-034-1940	3522 114 02200	INSULATOR, DISK; for Transistor TS10, TS11, TS20, TS21, TS30, TS31, TS40, TS41, TS50, TS51	10	4	15	4	
12	5999-17-050-2871	3522 114 11100	INSULATOR, PLATE; for capacitor C10 thru C16, C20 thru C26, C30, C31, C33 thru C36, C40 thru C47, C50 thru C60	39	4	15	2	

Repair parts List RT-4600

Line No.	NATO Stocknumber	Mfg. Code No.	Description	Qua	Ech	Fig No	Key No	Remarks
	1	2	3	4	5	6	7	8
			<u>TRANSMITTER OSCILLATOR AND MIXER</u> <u>STAGE, 4A part of MODULE 4</u> (continued)					
1	5970-17-034-2555	3522 114 02500	INSULATOR, RING; for Coil T6	2	4	15	3	
2		2322 151 51002	RESISTOR, FIXED, FILM; 1 kohm 1 %; (R57, R58, R66)	3	4	15		
3		2322 151 51471	RESISTOR, FIXED, FILM; 147 ohm 1 %; (R12, R22, R32, R42)	4	4	15		
4		2322 151 51473	RESISTOR, FIXED, FILM; 14,7 kohm 1 %; (R18, R28, R38, R48)	4	4	15		
5		2322 151 51782	RESISTOR, FIXED, FILM; 1,78 kohm 1 %; (R15, R25, R35, R45)	4	4	15		
6		2322 151 52151	RESISTOR, FIXED, FILM; 215 ohm 1 %; (R65)	1	4	15		
7	5905-01-015-8087	2322 151 52153	RESISTOR, FIXED, FILM; 21,5 kohm 1 %; (R59)	1	4	15		
8		2322 151 52613	RESISTOR, FIXED, FILM; 26,1 kohm 1 %; (R17, R27, R37, R47)	4	4	15		
9	5905-01-096-8509	2322 151 52614	RESISTOR, FIXED, FILM; 261 kohm 1 %; (R16, R26, R36, R46)	4	4	15		
10		2322 151 53163	RESISTOR, FIXED, FILM; 31,6 kohm 1 %; (R13, R23, R33, R43)	4	4	15		

Repair parts List RT-4600

Line No.	NATO Stocknumber	Mfg. Code No.	Description	Qua	Bch	Fig No	Key No	Remarks
	1	2	3	4	5	6	7	8
			TRANSMITTER OSCILLATOR AND MIXER					
			STAGE, 4A part of MODULE 4 (continued)					
1		2322 151 53833	RESISTOR, FIXED, FILM; 38,3 kohm 1 %; (R60)	1	4	15		
2		2322 151 54641	RESISTOR, FIXED, FILM; 464 ohm 1 %; (R55, R56)	2	4	15		
3	5905-01-078-6611	2322 151 54642	RESISTOR, FIXED, FILM; 4,64 kohm 1 %; (R11, R21, R31, R41, R54, R62)	6	4	15		
4	5905-01-055-8908	2322 151 54649	RESISTOR, FIXED, FILM; 46,4 ohm 1 %; (R10, R20, R30, R40)	4	4	15		
5		2322 151 55621	RESISTOR, FIXED, FILM; 562 ohm 1 %; (R24, R34, R44, R61)	4	4	15		
6		2322 151 56812	RESISTOR, FIXED, FILM; 6,81 kohm 1 %; (R51 thru R53, R64)	4	4	15		
7		2322 151 56813	RESISTOR, FIXED, FILM; 68,1 kohm 1 %; (R67)	1	4	15		
8		2322 151 57501	RESISTOR, FIXED, FILM; 750 ohm 1 %; (R14)	1	4	15		
9	5905-01-021-1493	2322 151 58252	RESISTOR, FIXED, FILM; 8,25 kohm 1 %; (R63)	1	4	15		
10	5961-12-196-0797	3522 030 17930	SEMICONDUCTOR DEVICE, DIODE; type BB809 (GR11 thru GR18, GR21 thru GR26, GR31 thru GR34, GR41, GR42)	20	4	15		

Repair parts List RT-4600

Line No.	NATO Stocknumber	Mfg. Code No.	Description	Qua	Ech No	Fig No	Key No	Remarks
	1	2	3	4	5	6	7	8
1		9335 722 80113	<u>TRANSMITTER OSCILLATOR AND MIXER</u> STAGE, 4A part of MODULE 4 (continued)	4	4	15		
2	5961-12-154-5828	9330 116 40112	SEMICONDUCTOR DEVICE, DIODE; type BA423 (GR10, GR20, GR30, GR40) TRANSISTOR; type BFY90 (TS10, TS20, TS30, TS40)	4	4	15		
3	5961-00-926-0237	3522 030 00100	TRANSISTOR; type BSX20 (TS50, TS51)	2	4	15		
4	5961-17-050-2831	9331 723 60112	TRANSISTOR; type BCY59/9 (TS11, TS21, TS31, TS41)	4	4	15		

Repair parts List RT-4600

Line No.	NATO Stocknumber	Mfg. Code No.	Description	Qua	Ech	Fig No	Key No	Remarks
	1	2	3	4	5	6	7	8
1	5820-17-052-3088	3522 154 00420	MODULE, 205	1	3	2	8	
			<u>consisting of the following spare parts:</u>					
2	5820-17-054-4730	3522 114 06200	BRACKET; cd-pltd	1	4	12	2	
3	5820-17-054-4739	3522 114 06800	BRACKET; cd-pltd	1	4	12	3	
4	5820-17-054-5865	3522 114 09000	BRACKET; cr-s	1	4	12	7	
5	5340-17-054-0100	3522 114 06600	COVER; for Module	1	4	12	1	
			<u>secured with:</u>					
6		2522 001 17097	SCREW, FL-FIL-HD; corr-res-s;	2	4			
			type AM 3 x 6 NEN 1602					
7	5310-12-154-1360	2522 613 12005	WASHER, LOCK; corr-res-s;	2	4			
			type B 3,1 NEN 1197					
8	5820-17-052-3315	3522 156 00820	MICROPHONE AMPLIFIER, MODULATOR AND	1	4	18	1	
			PILOT OSCILLATOR, 5 B					
			<u>secured with:</u>					
9	5305-17-033-8433	2522 001 08044	SCREW, FL-FIL-HD; br ni-pltd;	4	4			
			type AM 2 x 5 NEN 1602					
10	5310-17-036-9352	2522 600 10151	WASHER, FLAT; br ni-pltd;	4	4			
			type A 2,2 NEN 2269					
11	5310-17-033-4820	2522 613 03001	WASHER, LOCK; p-bz ni-pltd;	4	4			
			type B 2,1 NEN 1197					

Repair parts List RT-4600

Line No.	NATO Stocknumber	Mfg. Code No.	Description	Qty	Ech No	Fig No	Key No	Remarks
	1	2	3	4	5	6	7	8
			MICROPHONE AMPLIFIER, MODULATOR AND PILOT OSCILLATOR, 5B part of MODULE 205 (continued)					
1	5910-17-047-4106	2222 630 01272	CAPACITOR, FIXED, CERAMIC DIELECTRIC; 2700 pF 10 %; 100 V; (C11)	1	4	18		
2		2222 630 03272	CAPACITOR, FIXED, CERAMIC DIELECTRIC; 2700 pF 10 %; 100 V; (C13, C14, C20)	3	4	18		
3		2222 630 03472	CAPACITOR, FIXED, CERAMIC DIELECTRIC; 4700 pF 10 %; 100 V; (C5, C22, C23, C30)	4	4	18		
4		2222 638 10101	CAPACITOR, FIXED, CERAMIC DIELECTRIC; 100 pF 2 %; 100 V; (C4, C9)	2	4	18		
5	5910-17-052-9881	2222 638 34151	CAPACITOR, FIXED, CERAMIC DIELECTRIC; 150 pF 2 %; 100 V (C12)	1	4	18		
6		2222 638 34829	CAPACITOR, FIXED, CERAMIC DIELECTRIC; 82 pF 2%; 100 V; (C10)	1	4	18		
7	5910-00-010-8721	3522 020 84000	CAPACITOR, FIXED, CERAMIC DIELECTRIC; 0,1 uF 10%; 50 V; (C15, C17, C26, C27)	4	4	18		
8	5910-17-054-0824	2222 122 54159	CAPACITOR, FIXED, ELECTROLYTIC; 15 uF 50 %; 10 V; (C6, C21, C29)	3	4	18		
9	5910-17-054-0823	2222 122 54229	CAPACITOR, FIXED, ELECTROLYTIC; 22 uF 50 %; 10 V; (C28)	1	4	18		
10	5910-17-052-7788	2222 122 55159	CAPACITOR, FIXED, ELECTROLYTIC; 15 uF 50 %, 16 V; (C16, C24, C25)	3	4	18		

Repair parts List RT-4600

Line No.	NATO Stocknumber	Mfg. Code No.	Description	Qua	Ech	Fig No	Key No	Remarks
	1	2	3	4	5	6	7	8
			MICROPHONE AMPLIFIER, MODULATOR AND PILOT OSCILLATOR, 5B part of MODULE 205 (continued)					
1	5910-00-007-2003	3522 030 00830	CAPACITOR, FIXED, ELECTROLYTIC; 15uF 20 V; (C31)	1	4	18		
2	5910-17-050-2820	2222 344 21124	CAPACITOR, FIXED, METALLIZED PAPER DIELECTRIC; 0,12 uF 10%; 100 V; (C19)	1	4	18		
3	5910-17-052-9634	2222 344 21184	CAPACITOR, FIXED, METALLIZED PAPER DIELECTRIC; 0,18 uF 10%; 100 V; (C18)	1	4	18		
4	5910-17-052-9619	2012 803 00013	CAPACITOR, VARIABLE, AIR DIELECTRIC; 3,5 pF (C7)	1	4	18		
5	5910-17-052-9620	2012 803 00014	CAPACITOR, VARIABLE, AIR DIELECTRIC; 11,5 pF (C3)	1	4	18		
6	5910-17-052-9621	2012 803 00015	CAPACITOR, VARIABLE, AIR DIELECTRIC; 20,3 pF (C8)	1	4	18		
7	5910-17-052-9928	2222 809 05003	CAPACITOR, VARIABLE, PLASTIC DIELECTRIC 18 pF (C2)	1	4	18		
8	5950-00-043-0423	3522 020 09990	COIL, RADIO FREQUENCY; 22 uH 10%; (L3)	1	4	18		
9	5950-00-726-0165	3522 020 09960	COIL, RADIO FREQUENCY; 6,8 uH 10 %; (L1)	1	4	18		
10	5950-17-052-9671	3522 023 07830	COIL, RADIO FREQUENCY; 1,05 uH; (L2)	1	4	18		
11	5935-17-052-8232	2422 062 10412	CONNECTOR, RECEPTACLE, ELECTRICAL	2	4	18	5	

Repair parts List RT-4600

Line No.	NATO Stocknumber	Mfg. Code No.	Description	Qua	Ech	Fig No	Key No	Remarks
	1	2	3	4	5	6	7	8
			MICROPHONE AMPLIFIER, MODULATOR AND PILOT OSCILLATOR, 5B part of MODULE 205 (continued)					
1	5955-17-052-9920	3522 109 91651	CRYSTAL UNIT, QUARTZ (KT1)	1	4	18		
2	5970-17-034-1940	3522 114 02200	INSULATOR, DISK; for Transistor TS1 thru TS8	8	4	18	7	
3	5970-17-036-0255	3522 114 02800	INSULATOR, PLATE; for Capacitor C11	2	4	18	4	
4	5365-17-050-2872	3522 114 10800	INSULATOR, PLATE; for Crystal KT1	2	4	18	3	
5	5999-17-050-2871	3522 114 11100	INSULATOR, PLATE; for Capacitor C4, C5, C9, C10, C12 thru C15, C17, C20, C22, C23, C26, C27, C30	17	4	18	6	
6	5970-17-034-2555	3522 114 02500	INSULATOR, RING; for Resistor R3, R18, R24, R27, R40	5	4	18	2	
7	5962-00-167-6330	3522 020 82590	INTEGRATED CIRCUIT; type TBA 222 (U1)	1	4	18		
8	5905-01-031-9808	2322 151 51001	RESISTOR, FIXED, FILM; 100 ohm 1 %; (R3, R43)	2	4	18		
9		2322 151 51002	RESISTOR, FIXED, FILM; 1 kohm 1 %; (R10)	1	4	18		
10	5905-01-021-0991	2322 151 51003	RESISTOR, FIXED, FILM; 10 kohm 1 %; (R17, R21, R29, R33)	4	4	18		
11		2322 151 51213	RESISTOR, FIXED, FILM; 12,1 kohm 1 %; (R2, R41)	2	4	18		
12		2322 151 51471	RESISTOR, FIXED, FILM; 147ohm 1%; (R39)	1	4	18		

Repair parts List RT-4600

Line No.	NATO Stocknumber	Mfg. Code No.	Description	Qua	Ech	Fig No	Key No	Remarks
	1	2	3	4	5	6	7	8
			MICROPHONE AMPLIFIER, MODULATOR AND PILOT OSCILLATOR, 5B part of MODULE 205 (continued)					
1		2322 151 51472	RESISTOR, FIXED, FILM; 1,47 kohm 1 %; (R38)	1	4	18		
2		2322 151 51473	RESISTOR, FIXED, FILM; 14,7 kohm 1 %; (R12, R14)	2	4	18		
3	5905-01-086-1704	2322 151 51474	RESISTOR, FIXED, FILM; 147 kohm 1 %; (R30, R34)	2	4	18		
4		2322 151 51781	RESISTOR, FIXED, FILM; 178 ohm 1%;(R4)	1	4	18		
5		2322 151 52151	RESISTOR, FIXED, FILM; 215 ohm 1%;(R9)	1	4	18		
6		2322 151 52154	RESISTOR, FIXED, FILM; 215 kohm 1 %; (R37, R42, R44)	3	4	18		
7		2322 151 52611	RESISTOR, FIXED, FILM; 261ohm 1%;(R11)	1	4	18		
8		2322 151 52612	RESISTOR, FIXED, FILM; 2,61 kohm 1%; (R8)	1	4	18		
9		2322 151 52613	RESISTOR, FIXED, FILM; 26,1 kohm 1 %; (R15)	1	4	18		
10		2322 151 53161	RESISTOR, FIXED, FILM; 316ohm 1%;(R28)	1	4	18		
11		2322 151 53163	RESISTOR, FIXED, FILM; 31,6 kohm 1 %; (R32, R36)	2	4	18		
12	5905-01-038-7843	2322 151 53832	RESISTOR, FIXED, FILM; 3,83 kohm 1 %; (R45)	1	4	18		

Repair parts List RT-4600

Line No.	NATO Stocknumber	Mfg. Code No.	Description	Qua	Ech	Fig No	Key No	Remarks
	1	2	3	4	5	6	7	8
			MICROPHONE AMPLIFIER, MODULATOR AND PILOT OSCILLATOR, 5B part of MODULE 205 (continued)					
1		2322 151 54641	RESISTOR, FIXED, FILM; 464 ohm 1 %; (R23, R24)	2	4	18		
2	5905-01-078-6611	2322 151 54642	RESISTOR, FIXED, FILM; 4,64 kohm 1 %; (R5, R18, R19, R22, R25)	5	4	18		
3		2322 151 55622	RESISTOR, FIXED, FILM; 5,62 kohm 1 %; (R1)	1	4	18		
4		2322 151 55623	RESISTOR, FIXED, FILM; 56,2 kohm 1 %; (R27)	1	4	18		
5		2322 151 56812	RESISTOR, FIXED, FILM; 6,81 kohm 1 %; (R7, R13, R46)	3	4	18		
6		2322 151 58251	RESISTOR, FIXED, FILM; 825 ohm 1 %; (R31, R35)	2	4	18		
7	5905-01-021-1493	2322 151 58252	RESISTOR, FIXED, FILM; 8,25 kohm 1 %; (R6, R20)	2	4	18		
8		2322 151 58253	RESISTOR, FIXED, FILM; 82,5 kohm 1 %; (R26)	1	4	18		
9	5905-17-054-3683	2322 211 13108	RESISTOR, FIXED, FILM; 1 ohm 5 %; (R40)	1	4	18		
10	5961-00-938-1135	3522 030 01430	SEMICONDUCTOR DEVICE, DIODE; type BAW62 (GR3)	1	4	18		

Repair parts List RT-4600

Line No.	NATO Stocknumber	Mfg. Code No.	Description	Qua	Ech	Fig No	Key No	Remarks
	1	2	3	4	5	6	7	8
1	5961-12-196-0797	3522 030 17930	<u>MICROPHONE AMPLIFIER, MODULATOR AND PILOT OSCILLATOR, 5B part of MODULE 205 (continued)</u> SEMICONDUCTOR DEVICE, DIODE; type BB809 (GR1, GR2)	2	4	18		
2	5961-00-926-0237	3522 030 00100	TRANSISTOR; type BSX20 (TS1, TS2)	2	4	18		
3	5961-17-050-2831	9331 723 60112	TRANSISTOR; type BCY59/9 (TS3 thru TS8)	6	4	18		

Repair parts List RT-4600

Line No.	NATO Stocknumber	Mfg. Code No.	Description	Qty	Ech No	Fig No	Key No	Remarks
	1	2	3	4	5	6	7	8
1	5315-17-052-4490	3522 114 04300	<u>MODULE 205 (continued)</u> PIN,PILOT;cr ni-st;M2;tot. 1 12,5 mm	1	4	12	4	
2	5315-17-052-4489	3522 114 04500	PIN,PILOT;cr ni-st;M2;tot. 1 12,5 mm	2	4	12	6	
3	5820-17-052-3333	3522 156 07120	REFERENCE GENERATOR AND AMPLIFIER AUDIO FREQUENCY 105 A	1	4	17	1	
4	5305-17-033-8433	2522 001 08044	<u>secured with:</u> SCREW, FL-FIL-HD; br ni-pltd; type AM 2 x 5 NEN 1602	4	4			
5	5310-17-036-9352	2522 600 10151	WASHER, FLAT; br ni-pltd; type A 2,2 NEN 2269	4	4			
6	5310-17-033-4820	2522 613 03001	WASHER, LOCK; p-bz ni-pltd; type B 2,1 NEN 1197	4	4			
7		2222 630 01472	CAPACITOR, FIXED, CERAMIC DIELECTRIC; 4700 pF 10 %; 100 V; (C1, C3 thru C6, C18, C19)	7	4	17		
8		2222 630 03102	CAPACITOR, FIXED, CERAMIC DIELECTRIC; 1000 pF 10 %, 100 V; (C20)	1	4	17		
9		2222 630 03472	CAPACITOR, FIXED, CERAMIC DIELECTRIC; 4700 pF 10 %; 100 V; (C2, C15)	2	4	17		
10	5910-17-052-6811	2222 631 09568	CAPACITOR, FIXED, CERAMIC DIELECTRIC; 5,6 pF 10 %; 100 V; (C8)	1	4	17		
11	5910-17-052-0233	2222 631 58331	CAPACITOR, FIXED, CERAMIC DIELECTRIC; 330 pF 2 %; 100 V; (C10, C12)	2	4	17		

Repair parts List RT-4600

Line No.	NATO Stocknumber	Mfg. Code No.	Description	Qua	Ech No	Fig No	Key No	Remarks
	1	2	3	4	5	6	7	8
			REFERENCE GENERATOR AND AMPLIFIER					
			AUDIO FREQUENCY, 105 A part of MODULE					
			205 (continued)					
1		2222 638 58271	CAPACITOR, FIXED, CERAMIC DIELECTRIC; 170 pF 2 %; 100 V; (C14)	1	4	17		
2	5910-17-052-6661	2222 122 55228	CAPACITOR, FIXED, ELECTROLYTIC; 2,2 uF 50 %; 16 V; (C7, C9, C17)	3	4	17		
3	5910-17-052-9892	2222 122 55338	CAPACITOR, FIXED, ELECTROLYTIC; 3,3 uF 50 %; 16 V; (C21)	1	4	17		
4	5910-17-052-6663	2222 122 56108	CAPACITOR, FIXED, ELECTROLYTIC; 1 uF 50 %; 25 V; (C16)	1	4	17		
5	5910-17-052-6658	2222 122 57337	CAPACITOR, FIXED, ELECTROLYTIC 330000 pF 50 %; 40 V; (C13)	1	4	17		
6	5910-17-046-2553	2222 344 51153	CAPACITOR, FIXED, METALLIZED PAPER DIELECTRIC; 15000 pF 10 %; 400 V; (C11)	1	4	17		
7	5950-01-013-5115	3522 020 09980	COIL, RADIO FREQUENCY; 15 uH 10 %; (L1)	1	4	17		
8	5935-17-052-8232	2422 062 10412	CONNECTOR, RECEPTACLE, ELECTRICAL	1	4	17	8	
9	5935-17-052-8023	2422 062 10612	CONNECTOR, RECEPTACLE, ELECTRICAL	1	4	17	4	
10	5955-17-052-9922	3522 109 95081	CRYSTAL UNIT, QUARTZ; 6,4 MHz (U3)	1	4	17		
11	5970-17-034-1940	3522 114 02200	INSULATOR, DISK; for Transistor TS1 thru TS11	11	4	17	6	

Repair parts List RT-4600

Line No.	NATO Stocknumber	Mfg. Code No.	Description	Qty	Fig No	Key No	Remarks
	1	2	3	4	5	6	7
							8
			<u>REFERENCE GENERATOR AND AMPLIFIER</u>				
			<u>AUDIO FREQUENCY, 105 A part of MODULE</u>				
			<u>205 (continued)</u>				
1	5970-17-036-0255	3522 114 02800	INSULATOR, PLATE; for Diode GR1 thru GR3, GR5, GR6 and Capacitor C1, C3 thru C6, C8, C10, C18, C19	14	4 17	5	
2	5999-17-050-2871	3522 114 11100	INSULATOR, PLATE; for Capacitor C2, C12, C14, C15, C20	5	4 17	3	
3	5970-17-034-2555	3522 114 02500	INSULATOR, RING; for Resistor R2, R8 R10, R23	4	4 17	2	
4	5962-00-453-7715	3522 020 82590	INTEGRATED CIRCUIT; type TBA 222;(U2)	1	4 17		
5	5962-17-050-2825	3522 030 13850	INTEGRATED CIRCUIT; type HEF 4020 (U1)	1	4 17		
6	5820-17-054-5867	3522 114 19400	PLATE, ELECTRICAL SHIELD	1	4 17	7	
7		2322 151 51002	RESISTOR, FIXED, FILM; 1kohm 1%;(R35)	1	4 17		
8	5905-01-021-0991	2322 151 51003	RESISTOR, FIXED, FILM; 10 kohm 1 %; (R9, R12, R13, R18)	4	4 17		
9	5905-01-038-6293	2322 151 51004	RESISTOR, FIXED, FILM; 100 kohm 1 %; (R2, R27, R30)	3	4 17		
10		2322 151 51211	RESISTOR, FIXED, FILM; 121 ohm 1 %; (R11)	1	4 17		
11		2322 151 51213	RESISTOR, FIXED, FILM; 12,1 kohm 1 %; (R34)	1	4 17		

Repair parts List RT-4600

Line No.	NATO Stocknumber	Mfg. Code No.	Description	Qua	Ech	Fig No	Key No	Remarks
	1	2	3	4	5	6	7	8
			REFERENCE GENERATOR AND AMPLIFIER, AUDIO FREQUENCY, 105 A part of MODULE 205 (continued)					
1		2322 151 51214	RESISTOR, FIXED, FILM; 121 kohm 1 %; (R1, R23)	2	4	17		
2	5905-01-086-1704	2322 151 51474	RESISTOR, FIXED, FILM; 147 kohm 1 %; (R26, R28)	2	4	17		
3		2322 151 51783	RESISTOR, FIXED, FILM; 17,8 kohm 1 %; (R6)	1	4	17		
4		2322 151 51784	RESISTOR, FIXED, FILM; 178 kohm 1 %; (R31)	1	4	17		
5		2322 151 52152	RESISTOR, FIXED, FILM; 2,15 kohm 1 %; (R4, R5)	2	4	17		
6	5905-01-096-8509	2322 151 52614	RESISTOR, FIXED, FILM; 261 kohm 1 %; (R32, R33)	2	4	17		
7		2322 151 53162	RESISTOR, FIXED, FILM; 3,16 kohm 1 %; (R25)	1	4	17		
8		2322 151 53163	RESISTOR, FIXED, FILM; 31,6 kohm 1 %; (R10, R17, R19, R21, R36, R37, R38)	7	4	17		
9	5905-01-038-7843	2322 151 53832	RESISTOR, FIXED, FILM; 3,83 kohm 1 %; (R3)	1	4	17		
10	5905-01-078-6611	2322 151 54642	RESISTOR, FIXED, FILM; 4,64 kohm 1 %; (R20)	1	4	17		

Repair parts List RT-4600

Line No.	NATO Stocknumber	Mfg. Code No.	Description	Qua	Ech No	Fig No	Key No	Remarks
	1	2	3	4	5	6	7	8
			<u>REFERENCE GENERATOR AND AMPLIFIER,</u> <u>AUDIO FREQUENCY, 105 A part of MODULE</u> <u>205 (continued)</u>					
1	5905-01-057-3031	2322 151 54643	RESISTOR, FIXED, FILM; 46,4 kohm 1 %; (R29)	1	4	17		
2		2322 151 53161	RESISTOR, FIXED, FILM; 316 ohm 1 %; (R8)	1	4	17		
3		2322 151 56813	RESISTOR, FIXED, FILM; 68,1 kohm 1 %; (R22)	1	4	17		
4	5905-01-021-1493	2322 151 58252	RESISTOR, FIXED, FILM; 8,25 kohm 1 %; (R24)	1	4	17		
5		2322 151 58253	RESISTOR, FIXED, FILM; 82,5 kohm 1 %; (R7, R14, R15, R16)	4	4	17		
6	5961-12-196-0799	9332 979 90113	SEMICONDUCTOR DEVICE, DIODE; type BAS11; (GR1 thru GR3, GR5, GR6)	5	4	17		
7	5961-17-041-7597	9331 177 50113	SEMICONDUCTOR DEVICE, DIODE; type BZX79/C6V8 (GR4)	1	4	17		
8	5961-00-926-0237	3522 030 00100	TRANSISTOR; type BSX20; (TS1, TS3)	2	4	17		
9	5961-00-232-3178	9331 463 70112	TRANSISTOR; type 2N2894A (TS2)	1	4	17		
10	5961-17-050-2831	9331 723 60112	TRANSISTOR; type BCY59/9; (TS4 thru TS11)	8	4	17		

Repair parts List RT-4600

Line No.	NATO Stocknumber	Mfg. Code No.	Description	Qua	Ech	Fig No	Key No	Remarks
	1	2	3	4	5	6	7	8
1	5340-17-052-4518	3522 114 06300	MODULE, 205 (continued) SPACER; cr-ni-s	1	4	12	5	

Repair parts List RT-4600

Line No.	NATO Stocknumber	Mfg. Code No.	Description	Qua	Ech No	Fig No	Key No	Remarks
	1	2	3	4	5	6	7	8
1		3522 151 00500	<u>MODULE 6</u> consisting of the following spare parts:	1	3	2	9	
2	5820-17-054-4730	3522 114 06200	BRACKET; cd-pltd	1	4	12	3	
3	5820-17-054-4739	3522 114 06800	BRACKET; cd-pltd	1	4	12	2	
4	5820-17-054-5865	3522 114 09000	BRACKET; cr-s	1	4	12	7	
5	5340-17-054-0100	3522 114 06600	COVER; for Module <u>secured with:</u>	1	4	12	1	
6		2522 001 17097	SCREW, FL-FIL-HD; corr-res-s; type AM 3 x 6 NEN 1602	2	4			
7	5310-12-154-1360	2522 613 12005	WASHER; LOCK; corr-res-s; type B 3,1 NEN 1197	2	4			
8	5820-17-052-3320	3522 156 01020	SECTION TUNER, RADIO FREQUENCY, 6 B <u>secured with:</u>	1	4	20	1	
9	5305-17-033-8433	2522 001 08044	SCREW, FL-FIL-HD; br ni-pltd; type AM 2 x 5 NEN 1602	4	4			
10	5310-17-036-0809	2522 600 10151	WASHER, FLAT; br ni-pltd; type A 2,2 NEN 2269	4	4			
11	5310-17-033-4820	2522 613 03001	WASHER, LOCK; p-bz ni-pltd; type B 2,1 NEN 1197	4	4			

Repair parts List RT-4600

Line No.	NATO Stocknumber	Mfg. Code No.	Description	Qua	Ech	Fig No	Key No	Remarks
	1	2	3	4	5	6	7	8
1		2222 630 03472	<u>SECTION TUNER, RADIO FREQUENCY, 6B</u> <u>part of MODULE, 6 (continued)</u> CAPACITOR, FIXED, CERAMIC DIELECTRIC; 4700 pF 10 %; 100 V; (C6, C13)	2	4	20		
2		2222 638 10279	CAPACITOR, FIXED, CERAMIC DIELECTRIC; 27 pF 2 %; 100 V; (C5)	1	4	20		
3		2222 638 58221	CAPACITOR, FIXED, CERAMIC DIELECTRIC; 220 pF 2 %; 100 V; (C2, C3)	2	4	20		
4	5910-17-052-9892	2222 122 55338	CAPACITOR, FIXED, ELECTROLYTIC; 3,3 uF 50 %; 16 V; (C1)	1	4	20		
5	5910-17-052-7787	2222 122 55478	CAPACITOR, FIXED, ELECTROLYTIC; 4,7 uF 50 %; 16 V; (C4)	1	4	20		
6	5910-17-052-7784	2222 122 57108	CAPACITOR, FIXED, ELECTROLYTIC; 1 uF 50 %; 40 V; (C10, C11)	2	4	20		
7	5910-17-052-6658	2222 122 57337	CAPACITOR, FIXED, ELECTROLYTIC; 0,33 uF 50 %; 40 V; (C12)	1	4	20		
8	5910-17-039-9478	2222 344 21104	CAPACITOR, FIXED, METALLIZED PAPER DIELECTRIC; 0,1 uF 10 %; 100 V; (C8, C9)	2	4	20		
9	5910-17-039-0350	2222 344 21224	CAPACITOR, FIXED, METALLIZED PAPER DIELECTRIC; 0,22 uF 10 %; 100 V; (C7)	1	4	20		
10	5935-17-052-8023	2422 062 10612	CONNECTOR, RECEPTACLE, ELECTRICAL	2	4	20	3	

Repair parts List RT-4600

Line No.	NATO Stocknumber	Mfg. Code No.	Description	Qua	Ech	Fig No	Key No	Remarks
	1	2	3	4	5	6	7	8
			SECTION TUNER, RADIO FREQUENCY, 6 B <u>part of MODULE, 6 (continued)</u>					
1	5970-17-034-1940	3522 114 02200	INSULATOR, DISK; for Transistor TS1 thru TS14	14	4	20	4	
2	5999-17-050-2871	3522 114 11100	INSULATOR, PLATE; for Capacitor C2, C3, C5, C6, C13	5	4	20	2	
3	5962-00-453-7715	3522 020 82590	INTEGRATED CIRCUIT; type TBA 222;(U3)	1	4	20		
4		3522 023 08800	INTEGRATED CIRCUIT; type 4001AE; (U1)	1	4	20		
5		3522 023 09110	INTEGRATED CIRCUIT; type MC14024CL; (U2)	1	4	20		
6	5905-01-031-9808	2322 151 51001	RESISTOR, FIXED, FILM; 100 ohm 1 %; (R3, R18, R26, R27, R33)	5	4	20		
7		2322 151 51002	RESISTOR, FIXED, FILM; 1 kohm 1%;(R25)	1	4	20		
8	5905-01-021-0991	2322 151 51003	RESISTOR, FIXED, FILM; 10 kohm 1 %; (R35, R39, R42, R46)	4	4	20		
9		2322 151 51004	RESISTOR, FIXED, FILM; 100 kohm 1 %; (R1, R4 thru R11, R30, R34, R47)	12	4	20		
10	5905-01-086-1704	2322 151 51474	RESISTOR, FIXED, FILM; 147 kohm 1 %; (R40, R45)	2	4	20		
11		2322 151 51783	RESISTOR, FIXED, FILM; 17,8 kohm 1 %; (R23)	1	4	20		
12	5905-01-015-8087	2322 151 52153	RESISTOR, FIXED, FILM; 21,5 kohm 1 %; (R22, R41)	2	4	20		

Repair parts List RT-4600

Line No.	NATO Stocknumber	Mfg. Code No.	Description	Qua	Ech	Fig No	Key No	Remarks
	1	2	3	4	5	6	7	8
1	5961-00-938-1135	3522 030 01430	<u>SECTION TUNER, RADIO FREQUENCY, 6 B</u> <u>part of MODULE, 6 (continued)</u> SEMICONDUCTOR DEVICE, DIODE; type BAW62 (GR1 thru GR5, GR7 thru GR9)	8	4	20		
2	5961-12-159-9467	9331 177 90113	SEMICONDUCTOR DEVICE, DIODE; type BZX79/C10 (GR6)	1	4	20		
3		3522 030 04460	TRANSISTOR; type 2N2907A (TS3, TS5, TS8, TS11)	4	4	20		
4	5961-17-050-2831	9331 723 60112	TRANSISTOR; type BCY59/9 (TS1, TS2 TS4, TS6, TS7, TS9, TS10, TS12 thru TS14) .	10	4	20		

Repair parts List RT-4600

Line No.	NATO Stocknumber	Mfg. Code No.	Description	Qua	Ech No	Fig No	Key No	Remarks
	1	2	3	4	5	6	7	8
1	5315-17-052-4490	3522 114 04300	MODULE, 6 (continued) PIN, PILOT; cr ni-s; M2; tot 1 12,5 mm	1	4	12	4	
2	5315-17-052-4489	3522 114 04500	PIN, PILOT; cr ni-s; M2; tot 1 12,5 mm	2	4	12	6	
3	5820-17-052-3316	3522 156 00920	RECEIVER OSCILLATOR AND SAMPLE AND HOLD DISCRIMINATOR, 6A <u>secured with:</u> SCREW, FL-FIL-HD; br ni-pltd; type AM 2 x 5 NEN 1602 WASHER, FLAT; br ni-pltd; type A 2,2 NEN 2269 WASHER, LOCK; p-bz ni-pltd; type B 2,1 NEN 1197	1	4	19	1	
4	5305-17-033-8433	2522 001 08044		4	4			
5	5310-17-036-0809	2522 600 10151		4	4			
6	5310-17-033-4820	2522 613 03001		4	4			
7		2222 630 03472	CAPACITOR, FIXED, CERAMIC DIELECTRIC; 4700 pF 10 %; 100 V; (C1, C8, C16, C19 thru C22, C25, C27 thru C34, C36, C38)	18	4	19		
8		2222 638 10229	CAPACITOR, FIXED, CERAMIC DIELECTRIC; 22 pF 2 %; 100 V (C6)	1	4	19		
9		2222 638 10829	CAPACITOR, FIXED, CERAMIC DIELECTRIC; 82 pF 2 %; 100 V; (C4)	1	4	19		

Repair parts List RT-4600

Line No.	NATO Stocknumber	Mfg. Code No.	Description	Qua	Ech	Fig No	Key No	Remarks
	1	2	3	4	5	6	7	8
			<u>RECEIVER OSCILLATOR AND SAMPLE AND HOLD DISCRIMINATOR, 6A part of MODULE 6 (continued)</u>					
1		2222 638 58121	CAPACITOR, FIXED, CERAMIC DIELECTRIC; 120 pF 2 %; 100 V; (C17)	1	4	19		
2	5910-17-052-9927	2222 638 58181	CAPACITOR, FIXED, CERAMIC DIELECTRIC; 180 pF 2 %; 100 V; (C3, C23, C37)	3	4	19		
3	5910-00-010-8721	3522 020 84000	CAPACITOR, FIXED, CERAMIC DIELECTRIC; 0,1 uF 10 %; 50 V; (C7, C9 thru C14)	7	4	19		
4	5910-17-052-7786	2222 122 54339	CAPACITOR, FIXED, ELECTROLYTIC; 33 uF 50 %; 10 V; (C15, C26)	2	4	19		
5	5910-17-052-6660	2222 122 55688	CAPACITOR, FIXED, ELECTROLYTIC; 6,8 uF 50 %; 16 V; (C35)	1	4	10		
6	5910-17-052-9635	2222 344 22104	CAPACITOR, FIXED, METALLIZED PAPER DIELECTRIC; 0,1 uF; 10 %; 100 V; (C2, C5)	2	4	19		
7	5950-00-905-3171	3522 020 05130	COIL, RADIO FREQUENCY; 100 uH 5 %; (L1, L2)	2	4	19		
8	5950-17-052-9862	3522 154 08300	COIL, RADIO FREQUENCY; (T1)	1	4	19		
9	5950-17-052-9863	3522 154 08400	COIL, RADIO FREQUENCY; (T2)	1	4	19		
10	5935-17-052-8023	2422 062 10612	CONNECTOR, RECEPTACLE, ELECTRICAL	2	4	19	4	
11	5970-17-034-1940	3522 114 02200	INSULATOR, DISK; for Transistor TS1 thru TS22	22	4	19	3	

Repair parts List RT-4600

Line No.	NATO Stocknumber	Mfg. Code No.	Description	Qua	Ech	Fig No	Key No	Remarks
	1	2	3	4	5	6	7	8
			RECEIVER OSCILLATOR AND SAMPLE AND HOLD DISCRIMINATOR, 6 A part of MODULE 6 (continued)					
1	5999-17-050-2871	3522 114 11100	INSULATOR, PLATE; for Capacitor C1, C3 C4, C6 thru C17, C19 thru C23, C26 thru C38	33	4	19	2	
2	5905-01-031-9808	2322 151 51001	RESISTOR, FIXED, FILM; 100ohm 1%; (R42, R53, R58)	3	4	19		
3		2322 151 51002	RESISTOR, FIXED, FILM; 1kohm 1%; (R13, R17)	2	4	19		
4	5905-01-021-0991	2322 151 51003	RESISTOR, FIXED, FILM; 10kohm 1%; (R15, (R74)	2	4	19		
5	5905-01-038-6293	2322 151 51004	RESISTOR, FIXED, FILM; 100kohm 1%; (R22)	1	4	19		
6		2322 151 51214	RESISTOR, FIXED, FILM; 121kohm 1%; (R26, (R30, R32, R36, R38)	5	4	19		
7		2322 151 51332	RESISTOR, FIXED, FILM; 1,33kohm 1%; (R55)	1	4	19		
8		2322 151 51472	RESISTOR, FIXED, FILM; 1,47kohm 1%; (R3)	1	4	19		
9		2322 151 51473	RESISTOR, FIXED, FILM; 14,7kohm 1%; (R14, (R21, R60, R72)	4	4	19		
10		2322 151 51962	RESISTOR, FIXED, FILM; 1,96kohm 1%; (R45)	1	4	19		
11		2322 151 52152	RESISTOR, FIXED, FILM; 2,15kohm 1%; (R49, (R50)	2	4	19		

Repair parts List RT-4600

Line No.	NATO Stocknumber	Mfg. Code No.	Description	Qty	Fig No	Key No	Remarks
	1	2	3	4	5	6	7
			RECEIVER OSCILLATOR AND SAMPLE AND HOLD DISCRIMINATOR, 6 A part of MODULE 6 (continued)				
1		2322 151 52123	RESISTOR, FIXED, FILM; 21,5kohm 1%; (R18, R25)	2	4	19	
2		2322 151 52154	RESISTOR, FIXED, FILM; 215kohm 1%; (R16)	1	4	19	
3		2322 151 52613	RESISTOR, FIXED, FILM; 26,1kohm 1%; (R2, R4, R5, R19, R28)	5	4	19	
4	5905-01-096-8509	2322 151 52614	RESISTOR, FIXED, FILM; 261kohm 1%; (R31, R33, R35, R37, R39, R41, R47, R56)	8	4	19	
5		2322 151 52619	RESISTOR, FIXED, FILM; 26,1ohm 1%; (R12)	1	4	19	
6		2322 151 53161	RESISTOR, FIXED, FILM; 316ohm 1%; (R44, R52, R63, R70)	4	4	19	
7		2322 151 53163	RESISTOR, FIXED, FILM; 31,6kohm 1%; (R8, R11, R24, R48, R51)	5	4	19	
8		2322 151 53833	RESISTOR, FIXED, FILM; 38,3kohm 1%; (R7, R10, R20, R29, R46, R57)	6	4	19	
9	5905-01-057-3031	2322 151 54643	RESISTOR, FIXED, FILM; 46,4kohm 1%; (R6, R9, R27)	3	4	19	
10		2322 151 55621	RESISTOR, FIXED, FILM; 562ohm 1%; (R59, R64, R65)	3	4	19	
11		2322 151 55622	RESISTOR, FIXED, FILM; 5,62kohm 1%; (R1)	1	4	19	
12		2322 151 55623	RESISTOR, FIXED, FILM; 56,2kohm 1%; (R23)	1	4	19	

Repair parts List RT-4600

Line No.	NATO Stocknumber	Mfg. Code No.	Description	Qua	Ech	Fig No	Key No	Remarks
	1	2	3	4	5	6	7	8
			RECEIVER OSCILLATOR AND SAMPLE AND HOLD DISCRIMINATOR, 6 A part of MODULE 6 (continued)					
1		2322 151 55629	RESISTOR, FIXED, FILM; 56,1 ohm 1 %; (R43, R54, R61, R69)	4	4	19		
2		2322 151 56811	RESISTOR, FIXED, FILM; 681 ohm 1 %; (R66 thru R68)	3	4	19		
3		2322 151 56812	RESISTOR, FIXED, FILM; 6,81 kohm 1 %; (R62, R73)	2	4	19		
4	5961-00-938-1135	3522 030 01430	SEMICONDUCTOR DEVICE, DIODE;	9	4	19		
5	5961-12-196-0797	3522 030 17930	typ BAW62 (GR1 thru GR9)	12	4	19		
6	5961-17-041-0848	9331 177 70113	SEMICONDUCTOR DEVICE, DIODE; type BB809 (GR10 thru GR21)	2	4	19		
7	5961-12-154-5828	9330 116 40112	SEMICONDUCTOR DEVICE, DIODE; type BZX79/C8V2 (GR22, GR23)	2	4	19		
8	5961-00-926-0237	3522 030 00100	TRANSISTOR; type BFY90; (TS17, TS19) TRANSISTOR; type BSX20; (TS7, TS21, TS22)	3	4	19		
9		3522 040 04460	TRANSISTOR; type 2N907A; (TS1 thru TS3, TS5, TS6, TS10)	6	4	19		
10	5961-12-169-3470	9331 331 90112	TRANSISTOR; type BSV81, (TS4)	1	4	19		
11	5961-17-050-2831	9331 723 60112	TRANSISTOR; type BCY59/9; TS8, TS9, TS11 thru TS16, TS18, TS20)	10	4	19		

Repair parts List RT-4600

Line No.	Part Number	Mfg. Code	Description	Qty	Est. No.	Fig. No.	Key No.	Remarks
	1	2	3	4	5	6	7	\$
1	5340-17-052-4518	3522 114 06300	MODULE, 6 (continued) SPACER; cr-ni-s	1	4	12	5	

Repair parts List RT-4600

Line No.	NATO Stocknumber	Mfg. Code No.	Description	Qua	Ech	Fig No	Key No	Remarks
	1	2	3	4	5	6	7	8
2		3522 114 10700	<u>consisting of the following spare parts:</u> BRACKET; cd-pltd	1	4	12	3	
3	5820-17-054-4739	3522 114 06800	BRACKET; cd-pltd	1	4	12	2	
4	5820-17-054-5865	3522 114 09000	BRACKET; cr-s	1	4	12	7	
5	5340-17-054-0100	3522 114 06600	COVER; for Module	1	4	12	1	
6		2522 001 17097	<u>secured with:</u> SCREW, FL-FIL-HD; corr-res-s;	2	4			
7	5310-12-154-1360	2522 613 12005	type AM 3 x 6 NEN 1602 WASHER, LOCK; corr-res-s;	2	4			
8	5315-17-052-4490	3522 114 04300	type B 3,1 NEN 1197 PIN, PILOT; cr-ni-s; M2;tot.1 12,5mm	1	4	12	4	
9	5315-17-052-4489	3522 114 04500	PIN, PILOT; cr-ni-s; M2;tot.1 12,5mm	2	4	12	6	
10	5820-17-052-3322	3522 156 01120	POWER SUPPLY SWITCH, 7A	1	4	21	1	
11	5305-17-033-8433	2522 001 08044	<u>secured with:</u> SCREW, FL-FIL-HD; br ni-pltd;	4	4			
12	5310-17-036-0809	2522 600 10151	type AM 2 x 5 NEN 1602 WASHER, FLAT; br ni-pltd; type A 2,2 NEN 2269	4	4			

Repair parts List RT-4600

Line No.	NAVO Stocknumber	Mfg. Code No.	Description	Qua	Ech	Fig No	Key No	Remarks
	1	2	3	4	5	6	7	8
			<u>POWER SUPPLY SWITCH, 7A part of</u> <u>MODULE, 7 (continued)</u>					
1	5310-17-033-4820	2522 613 03001	WASHER, LOCK; p-bz ni-pltd; type B 2,1 NEN 1197	4	4			
2		2222 630 01472	CAPACITOR, FIXED, CERAMIC DIELECTRIC; 4700 pF 10 %; 100 V; (C4)	1	4	21		
3		2222 630 03472	CAPACITOR, FIXED, CERAMIC DIELECTRIC; 4700 pF 10 %; 100 V; (C3)	1	4	21		
4	5910-17-052-6663	2222 122 56108	CAPACITOR, FIXED, ELECTROLYTIC; 1 uF 50 %; 25 V; (C6)	1	4	21		
5	5910-17-052-6660	2222 122 56688	CAPACITOR, FIXED, ELECTROLYTIC; 6,8 uF 50 %; 25 V; (C5)	1	4	21		
6	5910-17-052-9634	2222 344 21184	CAPACITOR, FIXED, METALLIZED PAPER DIELECTRIC; 0,18 uF 10 %; 100 V; (C1, C2)	2	4	21		
7	5935-17-052-8232	2422 062 10412	CONNECTOR, RECEPTACLE, ELECTRICAL	1	4	21	7	
8	5935-17-052-8023	2422 062 10612	CONNECTOR, RECEPTACLE, ELECTRICAL	1	4	21	6	
9	5970-17-034-1940	3522 114 02200	INSULATOR, DISK; for Transistor TS2, TS5 thru TS7, TS10, TS11, TS13, TS14	8	4	21	2	
10	5970-17-009-9466	9390 004 90002	INSULATOR, DISK; for Transistor TS1, TS4, TS5, TS8, TS9	5	4	21	5	

Repair parts List RT-4600

Line No.	NATO Stocknumber	Mfg. Code No.	Description	Qua	Ech No	Fig No	Key No	Remarks
	1	2	3	4	5	6	7	8
			POWER SUPPLY SWITCH, 7 A part of MODULE, 7 (continued)					
1	5970-17-036-0255	3522 114 02800	INSULATOR, PLATE; for Capacitor C4	1	4	21	4	
2	5999-17-050-2871	3522 114 11100	INSULATOR, PLATE; for Capacitor C3	1	4	21	3	
3	5962-01-057-5331	3522 023 08800	INTEGRATED CIRCUIT (U1)	1	4	21		
4		2322 151 51002	RESISTOR, FIXED, FILM; 1 kohm 1 %; (R5)	1	4	21		
5	5905-01-021-0991	2322 151 51003	RESISTOR, FIXED, FILM; 10 kohm 1 %; (R9 thru R12)	4	4	21		
6	5905-01-038-6293	2322 151 51004	RESISTOR, FIXED, FILM; 100 kohm 1 %; (R22)	1	4	21		
7		2322 151 51213	RESISTOR; FIXED, FILM; 12,1 kohm 1 %; (R21)	1	4	21		
8	5905-01-015-8087	2322 151 52153	RESISTOR, FIXED, FILM; 21,5 kohm 1 %; (R16, R18)	2	4	21		
9	5905-01-096-8509	2322 151 52614	RESISTOR, FIXED, FILM; 261 kohm 1 %; (R23, R24)	2	4	21		
10	5905-01-038-7843	2322 151 53832	RESISTOR, FIXED, FILM; 3,83 kohm 1 %; (R20)	1	4	21		
11		2322 151 53833	RESISTOR, FIXED, FILM; 38,3 kohm 1 %; (R29)	1	4	21		
12		2322 151 54641	RESISTOR, FIXED, FILM; 464 ohm 1 %; (R14)	1	4	21		

Repair parts List RT-4600

Line No.	NATO Stocknumber	Mfg. Code No.	Description	Qua	Ech No	Fig No	Key No	Remarks
	1	2	3	4	5	6	7	8
			POWER SUPPLY SWITCH, 7 A part of MODULE, 7 (continued)					
1	5905-01-057-3031	2322 151 54643	RESISTOR, FIXED, FILM; 46,4 kohm 1 %; (R15)	1	4	21		
2		2322 151 55623	RESISTOR, FIXED, FILM; 56,2 kohm 1 %; (R2, R3, R25 thru R28)	6	4	21		
3		2322 151 56811	RESISTOR, FIXED, FILM; 681 ohm 1 %; (R8, R13)	2	4	21		
4		2322 151 56813	RESISTOR, FIXED, FILM; 68,1 kohm 1 %; (R17, R19)	2	4	21		
5		2322 151 58251	RESISTOR, FIXED, FILM; 825 ohm 1 %; (R1, R4)	2	4	21		
6	5961-17-041-0848	9331 177 70113	SEMICONDUCTOR DEVICE, DIODE; type BZX 79/C8V2 (GR13)	1	4	21		
7	5961-12-178-5777	9331 185 60113	SEMICONDUCTOR DEVICE, DIODE; type BAV 10 (GR1 thru GR11, GR14)	12	4	21		
8	5961-17-027-6034	9330 116 30112	TRANSISTOR; type BFY 55 (TS1, TS4)	2	4	21		
9		3522 030 04460	TRANSISTOR; type 2N2907A (TS6, TS13)	3	4	21		
10	5961-00-876-6345	9330 987 40112	TRANSISTOR; type 2N4032 (TS5, TS8, TS9)	3	4	21		
11	5961-17-050-2831	9331 723 60112	TRANSISTOR; type BCY 59/9 (TS2, TS3, TS10, TS11, TS14)	5	5	21		

Repair parts List RT-4600

Line No.	NATO Stocknumber	Mfg. Code No.	Description	Qty	Ech No	Fig No	Key No	Remarks
	1	2	3	4	5	6	7	8
			<u>MODULE, 7 (continued)</u>					
1	5820-17-052-3321	3522 156 01220	POWER SUPPLY UNIT, 7 B	1	4	22	1	
			<u>secured with:</u>					
2	5305-17-033-8433	2522 001 08044	SCREW, FL-FIL-HD; br ni-pltd; type AM 2 x 5 NEN 1602	4	4			
3	5310-17-036-0809	2522 600 10151	WASHER, FLAT; br ni-pltd;	4	4			
			type A 2,2 NEN 2269					
4	5310-17-033-4820	2522 613 03001	WASHER, LOCK; p-bz ni-pltd;	4	4			
			type B 2,1 NEN 1197					
5		2522 001 17043	SCREW, FL-FIL-HD; corr-res-s;	2	4			
			type AM 2 x 4 NEN 1602					
6	5310-12-166-9422	2522 613 12001	WASHER, LOCK; corr-res-s;	2	4			
			type B 2,1 NEN 1197					
7	5999-17-054-8549	3522 114 10500	BRACKET	1	4	22	5	
			<u>secured with:</u>					
8	5305-12-158-8221	2522 001 17045	SCREW, FL-FIL-HD; corr-res-s;	2	4			
			type AM 2 x 6 NEN 1602					
9	5310-12-174-8362	2522 600 27151	WASHER, FLAT; corr-res-s;	2	4			
			type 2,2 NEN 2269					
10	5310-12-166-9422	2522 613 12001	WASHER, LOCK; corr-res-s;	2	4			
			type B 2,1 NEN 1197					

Repair parts List RT-4600

Line No.	NATO Stocknumber	Mfg. Code No.	Description	Qua	Ech	Fig No	Key No	Remarks
	1	2	3	4	5	6	7	8
			POWER SUPPLY UNIT, 7 B part of MODULE					
			<u>7 (continued)</u>					
1		2222 630 03102	CAPACITOR, FIXED, CERAMIC DIELECTRIC; 1000 pF 10 %; 100 V; (C14)	1	4	22		
2	5910-17-052-9927	2222 638 58181	CAPACITOR, FIXED, CERAMIC DIELECTRIC; 180 pF 2 %; 100 V; (C7)	1	4	22		
3		2222 638 58271	CAPACITOR, FIXED, CERAMIC DIELECTRIC; 270 pF 2 %; 100 V; (C10)	1	4	22		
4	5910-17-052-7786	2222 122 54339	CAPACITOR, FIXED, ELECTROLYTIC; 33 uF 50 %; 10 V; (C11)	1	4	22		
5	5910-17-052-7788	2222 122 55159	CAPACITOR, FIXED, ELECTROLYTIC; 15 uF 50 %; 16 V; (C1, C8)	2	4	22		
6	5910-17-053-1297	3522 030 00700	CAPACITOR, FIXED, ELECTROLYTIC; 120 uF 10 V; (C2)	1	4	22		
7	5910-00-113-5689	3522 030 00850	CAPACITOR, FIXED, ELECTROLYTIC; 47 uF 20 V; (C4)	1	4	22		
8	5910-17-052-9633	2222 123 16479	CAPACITOR, FIXED, ELECTROLYTIC; 100 uF 20 V; (C6)	1	4	22		
9	5910-17-039-0350	2222 344 21224	CAPACITOR, FIXED, METALLIZED PAPER DIELECTRIC; 0,22 uF 10 %; 100 V; (C3, C5, C9, C12, C13)	5	4	22		
10	5935-17-052-8232	2422 062 10412	CONNECTOR, RECEPTACLE, ELECTRICAL	2	4	22	6	

Repair parts List RT-4600

Line No.	NATO Stocknumber	Mfg. Code No.	Description	Qua	Ech	Fig No	Key No	Remarks
	1	2	3	4	5	6	7	8
			POWER SUPPLY UNIT, 7 B part of MODULE					
			7 (continued)					
1	5970-17-034-1940	3522 114 02200	INSULATOR, DISK; for Transistor TS1, TS4, TS6, TS7, TS9, TS13	6	4	22	4	
2	5970-17-009-9466	9390 004 90002	INSULATOR, DISK; for Transistor TS2, TS3, TS10	3	4	22	2	
3	5999-17-050-2871	3522 114 11100	INSULATOR, PLATE; for Capacitor C7, C10, C14	3	4	22	3	
4	5905-01-031-9808	2322 151 51001	RESISTOR, FIXED, FILM; 100 ohm 1 %; (R21)	1	4	22		
5		2322 151 51002	RESISTOR, FIXED, FILM; 1 kohm 1 %; (R18, R27)	2	4	22		
6	5905-01-021-0991	2322 151 51003	RESISTOR, FIXED, FILM; 10 kohm 1%; (R14, R17)	2	4	22		
7		2322 151 51472	RESISTOR, FIXED, FILM; 1,47 kohm 1 %; (R1)	1	4	22		
8		2322 151 51783	RESISTOR, FIXED, FILM; 17,8 kohm 1 %; (R23)	1	4	22		
9		2322 151 52152	RESISTOR, FIXED, FILM; 2,15 kohm 1 %; (R5, R16)	2	4	22		
10	5905-01-096-8509	2322 151 52614	RESISTOR, FIXED, FILM; 261kohm 1%;(R2)	1	4	22		
11		2322 151 53162	RESISTOR, FIXED, FILM; 3,16 kohm 1 %; (R4, R10, R13)	3	4	22		

Repair parts List RT-4600

Line No.	NATO Stocknumber	Mfg. Code No.	Description	Qua	Ech	Fig No	Key No	Remarks
			POWER SUPPLY UNIT, 7 B part of MODULE					
			7 (continued)					
1		2322 151 53163	RESISTOR, FIXED, FILM; 31,6 kohm 1 %; (R20)	1	4	22		
2	5905-01-057-3031	2322 151 54643	RESISTOR, FIXED, FILM; 46,4 kohm 1 %; (R6, R7)	2	4	22		
3		2322 151 55111	RESISTOR, FIXED, FILM; 511 ohm 1 %; (R8)	1	4	22		
4		2322 151 55622	RESISTOR, FIXED, FILM; 5,62 kohm 1 %; (R12)	1	4	22		
5		2322 151 55902	RESISTOR, FIXED, FILM; 5,9 kohm 1 %; (R15)	1	4	22		
6		2322 151 56812	RESISTOR, FIXED, FILM; 6,81 kohm 1 %; (R9)	1	4	22		
7		2322 151 58253	RESISTOR, FIXED, FILM; 82,5 kohm 1 %; (R19)	1	4	22		
8		2322 212 13158	RESISTOR, FIXED, FILM; 1,5 ohm 5 %; (R3)	1	4	22		
9	5905-17-052-9087	2122 350 00047	RESISTOR, VARIABLE; 1 kohm 10 %; 0,75 W; (R22)	1	4	22		
10	5905-17-052-9089	2122 350 00053	RESISTOR, VARIABLE; 2 kohm 10 %; 0,75 W; (R11)	1	4	22		

Repair parts List RT-4600

Line No.	NATO Stocknumber	Mfg. Code No.	Description	Qua	Ech	Fig No	Key No	Remarks
	1	2	3	4	5	6	7	8
			POWER SUPPLY UNIT, 7 B part of MODULE					
			<u>7 (continued)</u>					
1	5961-00-923-3940	9331 051 90112	SEMICONDUCTOR DEVICE, DIODE; type 1N825 (GR11)	1	4	22		
2		9331 185 60112	SEMICONDUCTOR DEVICE, DIODE; type BAV10; (GR2 thru GR10, GR12)	10	4	22		
3	5950-17-052-9674	3522 149 39461	TRANSFORMER, RADIO FREQUENCY (T2)	1	4	22		
4	5950-17-052-9675	3522 149 39471	TRANSFORMER, RADIO FREQUENCY (T1)	1	4	22		
5	5961-17-027-6034	9330 116 30112	TRANSISTOR; type BFY55 (TS10)	1	4	22		
6	5961-17-039-4587	9330 566 80112	TRANSISTOR; type BCY89 (TS8, TS11)	2	4	22		
7		3522 030 04460	TRANSISTOR; type 2N2907A; (TS4, TS6, TS9, TS13)	4	4	22		
8	5961-00-876-6345	9330 987 40112	TRANSISTOR; type 2N4032; (TS5)	1	4	22		
			<u>secured with:</u>					
9	5340-17-052-9868	3522 023 14000	CLAMP, BOTTOM	1	4			
10	5340-17-052-9869	3522 023 14010	CLAMP, TOP	1	4			
11		2522 401 09064	NUT, HEXAGON; corr-res-s; type M 2,5 NEN 1560	2	4			
12		2522 001 17777	SCREW, FL-FIL-HD; corr-res-s; type M 2,5 x 8 NEN 1602	2	4			
13	5340-17-052-9870	3522 023 14020	WASHER, MICA	1	4			
14	5961-99-118-2522	9331 180 70112	TRANSISTOR; type BSV64; (TS2, TS3)	2	4	22		
15	5961-17-050-2831	9331 723 60112	TRANSISTOR; type BCY59/9; (TS1, TS7)	2	4	22		

Repair parts List RT-4600

Line No.	NATO Stocknumber	Mfg. Code No.	Description	Qua	Ech	Fig No	Key No	Remarks
	1	2	3	4	5	6	7	8
1	5340-17-052-4518	3522 114 06300	<u>MODULE, 7 (continued)</u> SPACER; cr-ni-s	1	4	12	5	

Repair parts List RT-4600

Line No.	NATO Stocknumber	Mfg. Code No.	Description	Qua	Ech	Fig No	Key No	Remarks
	1	2	3	4	5	6	7	8
1	5820-17-052-3090	3522 154 00700	<u>MODULE, 8</u> consisting of the following spare parts:	1	3	2	1	
2	5820-17-054-4730	3522 114 06200	BRACKET; cd-pltd	1	4	12	3	
3	5820-17-054-4739	3522 114 06800	BRACKET; cd-pltd	1	4	12	2	
4	5820-17-054-8663	3522 154 08600	BRACKET ASSEMBLY <u>secured with:</u>	1	4	24	1	
5	5305-17-033-8433	2522 001 08044	SCREW, FL-FIL-HD; br ni-pltd; type AM 2 x 5 NEN 1602	4	4			
6	5310-17-036-0809	2522 600 10151	WASHER, FLAT; br ni-pltd; type A 2,2 NEN 2269	4	4			
7	5310-17-033-4820	2522 613 03001	WASHER, LOCK; p-bz ni-pltd; type B 2,1 NEN 1197	4	4			
8	5340-17-054-0100	3522 114 06600	COVER; for Module <u>secured with:</u>	1	4	12	1	
9		2522 001 17097	SCREW, FL-FIL-HD; corr-res-s; type AM 3 x 6 NEN 1602	2	4			
10	5310-12-154-1360	2522 613 12005	WASHER, LOCK; corr-res-s; type B 3,1 NEN 1197	2	4			
11	5315-17-052-4490	3522 114 04300	PIN, PILOT; cr-ni-s; M 2; tot. 1 12,5 mm	1	4	12	4	

Repair parts List RT-4600

Line No.	NAVO Stocknumber	Mfg. Code No.	Description	Qua	Ech No	Fig No	Key No	Remarks
	1	2	3	4	5	6	7	8
1	5315-17-052-4489	3522 114 04500	<u>MODULE, 8 (continued)</u> PIN; PILOT; cr ni-s; M2; tot 1 12,5 mm	2	4	12	6	
2	5820-17-052-3318	3522 156 01320	TRANSMITTER AMPLIFIER AND LOW-PASS FILTER, 8A	1	4	23	1	
3	5305-17-033-8433	2522 001 08044	<u>secured with:</u> SCREW, FL-FIL-HD; br ni-pltd;	4	4			
4	5310-17-036-0809	2522 600 10151	type AM 2 x 5 NEN 1602 WASHER, FLAT; br ni-pltd;	4	4			
5	5310-17-033-4820	2522 613 03001	type A 2,2 NEN 2269 WASHER, LOCK; p-bz ni-pltd;	4	4			
6	5305-17-032-3321	2522 001 08096	type B 2,1 NEN 1197 SCREW, FL-FIL-HD; br ni-pltd;	3	4			
7	5310-17-015-5052	2522 613 03005	type AM 3 x 5 NEN 1602 WASHER, LOCK; p-bz ni-pltd;	3	4			
8		2222 630 01102	type B 3,1 NEN 1197 CAPACITOR, FIXED, CERAMIC DIELECTRIC;	1	4	23		
9	5910-17-047-4106	2222 630 01272	1000 pF 10 %; 100 V; (C60) CAPACITOR, FIXED, CERAMIC DIELECTRIC;	1	4	23		
			2700 pF 10 %; 100 V; (C31)					

Repair parts List RT-4600

Line No.	NATO Stocknumber	Mfg. Code No.	Description	Qua	Ech	Fig No	Key No	Remarks
	1	2	3	4	5	6	7	8
1		2222 630 01472	TRANSMITTER AMPLIFIER AND LOW-PASS FILTER, 8A part of MODULE, 8 (continued)	23	4	23		
			CAPACITOR, FIXED, CERAMIC DIELECTRIC; 4700 pF 10 %; 100 V; (C1, C3, C5, C7 thru C10, C12 thru C15, C18, C19, C21, C27 thru C29, C32, C37, C38, C40, C41, C62					
2		2222 630 03472	CAPACITOR, FIXED, CERAMIC DIELECTRIC; 4700 pF 10 %; 100 V; (C4, C36, C39, C61)	4	4	23		
3	5910-17-052-0234	2222 631 09188	CAPACITOR, FIXED, CERAMIC DIELECTRIC; 1,8 pF 0,25 %; 100 V (C30)	1	4	23		
4		2222 631 10109	CAPACITOR, FIXED, CERAMIC DIELECTRIC; 10 pF 2 %; 100 V; (C25, C26, C58, C59)	4	4	23		
5		2222 631 10129	CAPACITOR, FIXED, CERAMIC DIELECTRIC; 12 pF 2 %; 100 V; (C23, C43)	2	4	23		
6		2222 631 10159	CAPACITOR, FIXED, CERAMIC DIELECTRIC; 15 pF 2 %; 100 V; (C24)	1	4	23		
7		2222 631 10189	CAPACITOR, FIXED, CERAMIC DIELECTRIC; 18 pF 2 %; 100 V (C11)	1	4	23		
8		2222 631 10229	CAPACITOR, FIXED, CERAMIC DIELECTRIC; 22 pF 2 %; 100 V; (C2, C49, C54)	3	4	23		

Repair parts List RT-4600

Line No.	NATO Stocknumber	Mfg. Code No.	Description	Qua	Ech	Fig No	Key No	Remarks
	1	2	3	4	5	6	7	8
			<u>TRANSMITTER AMPLIFIER AND LOW-PASS FILTER, 8A part of MODULE, 8 (continued)</u>					
1		2222 631 10279	CAPACITOR, FIXED, CERAMIC DIELECTRIC; 27 pF 2 %; 100 V; (C56)	1	4	23		
2	5910-17-052-9878	2222 631 10339	CAPACITOR, FIXED, CERAMIC DIELECTRIC; 33 pF 2 %; 100 V; (C45)	1	4	23		
3		2222 631 10399	CAPACITOR, FIXED, CERAMIC DIELECTRIC; 39 pF 2 %; 100 V; (C50)	1	4	23		
4	5910-17-052-9879	2222 631 10479	CAPACITOR, FIXED, CERAMIC DIELECTRIC; 47 pF 2 %; 100 v; (C47, C55, C57)	3	4	23		
5	5910-17-052-9880	2222 631 10689	CAPACITOR, FIXED, CERAMIC DIELECTRIC; 68 pF 2 %; 100 V; (C17)	1	4	23		
6		2222 631 58121	CAPACITOR, FIXED, CERAMIC DIELECTRIC; 120 pF 2 %; 100 V; (C44)	1	4	23		
7		2222 631 58271	CAPACITOR, FIXED, CERAMIC DIELECTRIC; 270 pF 2 %; 100 V (C20)	1	4	23		
8		2222 631 58689	CAPACITOR, FIXED, CERAMIC DIELECTRIC; 68 pF 2 %; 100 V; (C53)	1	4	23		
9		2222 631 58829	CAPACITOR, FIXED, CERAMIC DIELECTRIC; 82 pF 2 %; 100 V; (C46, C48)	2	4	23		
10		2222 638 09568	CAPACITOR, FIXED, CERAMIC DIELECTRIC; 5,6 pF 0,25 %; 100 V; (C33, C34, C42)	3	4	23		

Repair parts List RT-4600

Line No.	NATO Stocknumber	Mfg. Code No.	Description	Qua	Ech	Fig No	Key No	Remarks
	1	2	3	4	5	6	7	8
			<u>TRANSMITTER AMPLIFIER AND LOW-PASS FILTER, 8A part of MODULE, 8 (continued)</u>					
1		2222 638 58221	CAPACITOR, FIXED, CERAMIC DIELECTRIC; 220 pF 2 %; 100 V; (C6)	1	4	23		
2	5910-17-052-6662	2222 122 56228	CAPACITOR, FIXED, ELECTROLYTIC; 2,2 uF 50 %; 25 V; (C22)	1	4	23		
3	5910-17-034-1520	4322 020 34410	CHOKE, RADIO FREQUENCY; (L9, L10)	2	4	23		
4	5950-00-769-4326	3522 020 09860	COIL, RADIO FREQUENCY; 0,15 uH 20 %; (L7)	1	4	23		
5	5950-00-764-3186	3522 020 09870	COIL, RADIO FREQUENCY; 0,22 uH 20 %; (L6)	1	4	23		
6	5950-00-707-1243	3522 020 09970	COIL, RADIO FREQUENCY; 10 uH 10 %; type LT4K093; (L1)	1	4	23		
7	5950-00-764-9764	3522 020 09900	COIL, RADIO FREQUENCY; 0,68 uH 10 %; type LT4K079; (L3 thru L5)	3	4	23		
8	5950-17-052-9647	3522 023 03470	COIL, RADIO FREQUENCY; (L15, L17)	2	4	23		
9	5950-17-052-9648	3522 023 03480	COIL, RADIO FREQUENCY; (L16, L18)	2	4	23		
10	5950-17-052-9649	3522 023 03490	COIL, RADIO FREQUENCY; (L11 thru L13)	3	4	23		
11	5950-17-052-9650	3522 023 03500	COIL, RADIO FREQUENCY; (L14)	1	4	23		
12	5935-17-052-8232	2422 062 10412	CONNECTOR, RECEPTACLE, ELECTRICAL	2	4	23	8	
13	5950-00-031-4571	3522 020 62070	INDUCTOR, RADIO FREQUENCY; 4,7uH (L8)	1	4	23		
14	5950-00-031-4557	3522 020 62090	INDUCTOR, RADIO FREQUENCY; 10 uH (L2)	1	4	23		

Repair parts List RT-4600

Line No.	NATO Stocknumber	Mfg. Code No.	Description	Qua	Ech	Fig No	Key No	Remarks
	1	2	3	4	5	6	7	8
			<u>TRANSMITTER AMPLIFIER AND LOW-PASS FILTER, 8A part of MODULE, 8</u> (continued)					
1	5970-17-034-1940	3522 114 02200	INSULATOR; DISK; for Transistor TS4 thru TS6	3	4	23	2	
2	5970-17-009-9466	9390 004 90002	INSULATOR, DISK; for Transistor TS1	1	4	23	9	
3	5970-17-036-0255	3522 114 02800	INSULATOR, PLATE	57	4	23	3	
4	5999-17-050-2871	3522 114 11100	INSULATOR, PLATE; for Capaictor C4, C6, C33, C34, C36, C39, C61	7	4	23	7	
5	5970-17-034-2555	3522 114 02500	INSULATOR, RING; for Coil L1 and Resistor R9, R44, R45	4	4	23	4	
6	5962-00-453-7715	3522 020 82590	INTEGRATED CRICUIT; type TBA22; (U1)	1	4	23		
7		3522 154 03500	PLATE ASSEMBLY	1	4	23	6	
8	5820-17-054-8654	3522 114 03300	PLUG, for Transistor TS2, TS3	2	4	24	2	
9		3522 020 83490	RELAY; 1 W; 12 V; (RE1, RE2)	2	4	23		
10		2322 151 51002	RESISTOR, FIXED, FILM; 1 kohm 1 %; (R24, R25, R26, R32)	4	4	23		
11	5905-01-021-0991	2322 151 51003	RESISTOR, FIXED, FILM; 10 kohm 1 %; (R13, R36, R40, R43)	4	4	23		
12		2322 151 51009	RESISTOR, FIXED, FILM; 10 ohm 1 %; (R3, R5, R39)	3	4	23		
13		2322 151 51472	RESISTOR, FIXED, FILM; 1,47 kohm 1 %; (R2)	1	4	23		

Repair parts List RT-4600

Line No.	NATO Stocknumber	Mfg. Code No.	Description	Qua	Ech	Fig No	Key No	Remarks
	1	2	3	4	5	6	7	8
			<u>TRANSMITTER AMPLIFIER AND LOW-PASS FILTER, 8A part of MODULE, 8 (continued)</u>					
1		2322 151 52151	RESISTOR, FIXED, FILM; 215 ohm 1 %; (R10)	1	4	23		
2		2322 151 52152	RESISTOR, FIXED, FILM; 2,15 kohm 1 %; (R7, R16)	2	4	23		
3	5905-01-015-8087	2322 151 52153	RESISTOR, FIXED, FILM; 21,5 kohm 1 %; (R31, R45)	2	4	23		
4		2322 151 52612	RESISTOR, FIXED, FILM; 2,61 kohm 1 %; (R38)	1	4	23		
5		2322 151 52613	RESISTOR, FIXED, FILM; 26,1 kohm 1 %; (R22, R23)	2	4	23		
6		2322 151 53161	RESISTOR, FIXED, FILM; 316 ohm 1 %; (R15)	1	4	23		
7		2322 151 53163	RESISTOR, FIXED, FILM; 31,6 kohm 1 %; (R28 thru R30)	3	4	23		
8		2322 151 53169	RESISTOR, FIXED, FILM; 31.6 ohm 1 %; (R8)	1	4	23		
9		2322 151 53833	RESISTOR, FIXED, FILM; 38,3 kohm 1 %; (R41, R42)	2	4	23		
10		2322 151 54641	RESISTOR, FIXED, FILM; 464 ohm 1 %; (R9, R35)	2	4	23		

Repair parts List RT-4600

Line No.	NAVO Stocknumber	Mfg. Code No.	Description	Qua	Ech	Fig No	Key No	Remarks
	1	2	3	4	5	6	7	8
			<u>TRANSMITTER AMPLIFIER AND LOW-PASS FILTER, 8A part of MODULE 8 (continued)</u>					
1	5961-00-938-1135	3522 030 01430	SEMICONDUCTOR DEVICE, DIODE; type BAW62; (GR2, GR4, GR7 thru GR15)	11	4	23		
2	5961-00-421-3002	9330 087 10112	SEMICONDUCTOR DEVICE, DIODE; type BYX10; (GR1, GR5, GR6)	3	4	23		
3	5961-12-178-5777	9331 185 60113	SEMICONDUCTOR DEVICE, DIODE; type BAV10 (GR3)	1	4	23		
4	5950-17-052-9676	3522 149 98201	TRANSFORMER, RADIO FREQUENCY; (T1)	1	4	23		
5	5950-17-052-9677	3522 149 98221	TRANSFORMER, RADIO FREQUENCY; (T2)	1	4	23		
6		3520 030 04460	TRANSISTOR; type 2N2907A; (TS4, TS5)	2	4	23		
7	5961-12-159-9469	9331 299 30112	TRANSISTOR; type BFW16A; (TS1)	1	4	23		
8	5961-12-158-2543	9331 587 40112	TRANSISTOR; type BLY91A; (TS3)	1	4	23		
9	5961-17-050-2831	9331 723 60112	TRANSISTOR; type BCY50/9; (TS6)	1	4	23		
10	5961-17-052-5803	9332 063 00112	TRANSISTOR; type BFR94; (TS2)	1	4	23		

Repair parts List RT-4600

Line No.	NAVO Stocknumber	Mfg. Code No.	Description	Qua	Ech	Fig No	Key No	Remarks
	1	2	3	4	5	6	7	8
1	5820-17-052-3019	3522 154 00800	<u>MODULE, 9</u> consisting of the following spare parts:	1	4	2	2	
2	5820-17-054-8673	3522 154 02700	BRACKET ASSEMBLY	1	4	25	1	
3	5820-17-054-8661	3522 154 07900	COVER; for Module secured with:	1	4	25	3	
4	5305-12-151-8366	2522 001 17171	SCREW, FL-FIL-HD; corr-res-s; type AM 4 x 10 NEN 1602	3	4			
5		2522 401 09011	NUT, HEXAGON; corr-res-s; type M 4	3	4			
6	5310-12-154-9279	2522 613 12009	WASHER, LOCK; corr-res-s; type B 4,1 NEN 1197	3	4			
7		3522 156 01420	DECADE-DIVIDER, 9 A secured with:	1	4	26	1	
8	5305-17-050-2898	2522 001 17044	SCREW, FL-FIL-HD; corr-res-s; type AM 2 x 5 NEN 1602	4	4			
9	5310-12-174-8362	2522 600 27151	WASHER, FLAT; corr-res-s; type A 2,2 NEN 2269	4	4			
10	5310-12-166-9422	2522 613 12001	WASHER, LOCK; corr-res-s; type B 2,1 NEN 1197	4	4			
11		2222 630 03472	CAPACITOR; FIXED, CERAMIC DIELECTRIC; 4700 pF 10 %; 100 V; (C3, C4, C9)	3	4	26		

Repair parts List RT-4600

Line No.	NATO Stocknumber	Mfg. Code No.	Description	Qua	Ech No	Fig No	Key No	Remarks
	1	2	3	4	5	6	7	8
			DECADE-DIVIDER, 9A part of MODULE, 9 (continued)					
1		2222 638 10279	CAPACITOR, FIXED, CERAMIC DIELECTRIC; 27 pF 2 %; 100 V; (C5 thru C8)	4	4	26		
2	5910-17-050-6949	2222 344 21334	CAPACITOR, FIXED, METALLIZED PAPER DIELECTRIC; 0,33 uF 10 %; 100 V; (C2)	1	4	26		
3	5970-17-034-1940	3522 114 02200	INSULATOR, DISK; for Transistor TS1, TS2	2	4	26	3	
4	5999-17-050-2871	3522 114 11100	INSULATOR, PLATE; for Capacitor C3 thru C9	7	4	26	2	
5	5962-01-057-5331	3522 023 08800	INTEGRATED CIRCUIT; type 4001AE; (U6)	1	4	26		
6	5962-01-014-8081	3522 023 08820	INTEGRATED CIRCUIT; type 4013AE; (U1, U8)	2	4	26		
7	5962-01-015-5157	3522 023 08840	INTEGRATED CIRCUIT; type 4018AE; (U2, U4, U5)	3	4	26		
8	5962-01-015-5158	3522 023 08860	INTEGRATED CIRCUIT; type 4023AE; (U7)	1	4	26		
9	5962-01-094-8242	3522 023 08880	INTEGRATED CIRCUIT; type 4025AE; (U3)	1	4	26		
10		2322 151 51781	RESISTOR, FIXED, FILM; 178 ohm 1 %; (R16)	1	4	26		
11		2322 151 51783	RESISTOR, FIXED, FILM; 17,8 kohm 1 %; (R19)	1	4	26		
12	5905-01-015-8087	2322 151 52153	RESISTOR, FIXED, FILM; 21,5 kohm 1 %; (R1 thru R11, R13 thru R15)	14	4	26		

Repair parts List RT-4600

Line No.	NATO Stocknumber	Mfg. Code No.	Description	Qua	Ech	Fig No	Key No	Remarks
	1	2	3	4	5	6	7	8
1			<u>DECADE-DIVIDER, 9A part of MODULE, 9</u> <u>(continued)</u>					
		2322 151 52154	RESISTOR, FIXED, FILM; 215 kohm 1 %; (R17)	1	4	26		
2	5905-01-038-7843	2322 151 53832	RESISTOR, FIXED, FILM; 3,83 kohm 1 %; (R21)	1	4	26		
3	5905-01-021-1493	2322 151 58252	RESISTOR, FIXED, FILM; 8,25 kohm 1 %; (R20, R24 thru R26)	4	4	26		
4	5961-00-938-1135	3522 030 01430	SEMICONDUCTOR DEVICE, DIODE; type BAW62; (GR1)	1	4	26		
5	5961-00-926-0237	3522 030 00100	TRANSISTOR; type BSX20; (TS1)	1	4	26		
6	5961-00-232-3178	9331 463 70112	TRANSISTOR; type 2N2894A; (TS2)	1	4	26		

Repair parts List RT-4600

Line No.	NATO Stocknumber	Mfg. Code No.	Description	Qua	Ech	Fig No	Key No	Remarks
	1	2	3	4	5	6	7	8
1	5820-17-054-8646	3522 154 02500	<u>MODULE, 9 (continued)</u> DIAL, CONTROL	1	4	25	11	
2	5305-17-036-9372	2522 043 02038	<u>secured with:</u> SCREW, SET; s-blackened; M 3 x 5; hex. socket	2	4			
3	5820-17-054-8653	3522 154 02600	DIAL, CONTROL	1	4	25	6	
4	5305-17-036-9372	2522 043 02038	<u>secured with:</u> SCREW, SET; s-blackened; M 3 x 5; hex. socket	2	4			
5	5820-17-054-8674	3522 154 03200	DIAL, CONTROL	1	4	25	12	
6	5305-17-036-9372	2522 043 02038	<u>secured with:</u> SCREW, SET; s-blackened; M 3 x 5; hex. socket	2	4			
7	5820-17-054-8664	3522 154 03300	DIAL, CONTROL	1	4	25	10	
8	5305-17-036-9372	2522 043 02038	<u>secured with:</u> SCREW, SET; s-blackened; M 3 x 5; hex. socket	2	4			
9	5820-17-052-3327	3522 156 01520	FIXED DIVIDER and 4/5 DIVIDER, 9 B	1	4	27	1	
10	5305-17-050-2898	2522 001 17044	<u>secured with:</u> SCREW, FL-FIL-HD; corr-res-s; type AM 2 x 5 NEN 1602	4	4			
11	5310-12-174-8362	2522 600 27151	WASHER, FLAT; corr-res-s; type A 2,2 NEN 2269	4	4			

Repair parts List RT-4600

Line No.	NATO Stocknumber	Mfg. Code No.	Description	Qua	Ech	Fig No	Key No	Remarks
	1	2	3	4	5	6	7	8
1	5310-12-166-9422	2522 613 12001	<u>FIXED DIVIDER AND 4/5 DIVIDER, 9 B</u> <u>part of MODULE, 9 (continued)</u> WASHER, LOCK; corr-res-s; type B 2,1 NEN 1197	4	4			
2		2222 630 01102	CAPACITOR, FIXED, CERAMIC DIELECTRIC; 1000 pF 10 %; 100 V; (C43)	1	4	27		
3		2222 630 01472	CAPACITOR, FIXED, CERAMIC DIELECTRIC; 4700 pF 10 %; 100 V; (C1 thru C3, C32, C45, C47)	6	4	27		
4		2222 630 03472	CAPACITOR, FIXED, CERAMIC DIELECTRIC; 4700 pF 10 %; 100 V; (C29, C33, C44)	3	4	27		
5		2222 631 03478	CAPACITOR, FIXED, CERAMIC DIELECTRIC; 4,7 pF; 100 V; (C40)	1	4	27		
6		2222 631 03688	CAPACITOR, FIXED, CERAMIC DIELECTRIC; 6,8 pF; 100 V; (C41)	1	4	27		
7		2222 631 04339	CAPACITOR, FIXED, CERAMIC DIELECTRIC; 33 pF 2 %; 100 V; (C8)	1	4	27		
8		2222 631 04399	CAPACITOR, FIXED, CERAMIC DIELECTRIC; 39 pF 2 %; 100 V; (C12, C18, C20)	3	4	27		

Repair parts List RT-4600

Line No.	NATO Stocknumber	Mfg. Code No.	Description	Qua	Ech	Fig No	Key No	Remarks
	1	2	3	4	5	6	7	8
1		2222 631 10279	<u>FIXED DIVIDER AND 4/5 DIVIDER, 9 B</u> <u>part of MODULE, 9 (continued)</u> CAPACITOR, FIXED, CERAMIC DIELECTRIC; 27 pF 2 %; 100 V; (C27)	1	4	27		
2	5910-17-052-9878	2222 631 10339	CAPACITOR, FIXED, CERAMIC DIELECTRIC; 33 pF 2 %; 100 V; (C37)	1	4	27		
3		2222 631 10569	CAPACITOR, FIXED, CERAMIC DIELECTRIC; 56 pF 2 %; 100 V; (C13, C14)	2	4	27		
4		2222 631 58121	CAPACITOR, FIXED, CERAMIC DIELECTRIC; 120 pF 2 %; 100 V; (C5, C6, C9, C10, C17, C19)	6	4	27		
5		2222 631 58151	CAPACITOR, FIXED, CERAMIC DIELECTRIC; 150 pF 2 %; 100 V; (C28)	1	4	27		
6		2222 631 58181	CAPACITOR, FIXED, CERAMIC DIELECTRIC; 180 pF 2 %, 100 V; (C4, C30, C36)	3	4	27		
7		2222 638 04339	CAPACITOR, FIXED, CERAMIC DIELECTRIC; 33 pF 2 %; 100 V; (C7)	1	4	27		
8		2222 638 10399	CAPACITOR, FIXED, CERAMIC DIELECTRIC; 39 pF 2 %; 100 V; (C11)	1	4	27		
9		2222 638 58109	CAPACITOR, FIXED, CERAMIC DIELECTRIC; 10 pF 2 %; 100 V; (C34)	1	4	27		

Repair parts List RT-4600

Line No.	NATO Stocknumber	Mfg. Code No.	Description	Qua	Ech	Fig No	Key No	Remarks
	1	2	3	4	5	6	7	8
1	5910-00-010-8721	3522 020 84000	<u>FIXED DIVIDER AND 4/5 DIVIDER, 9 B</u> <u>part of MODULE, 9 (continued)</u> CAPACITOR, FIXED, CERAMIC DIELECTRIC; 0,1 uF 10 %; 50 V; (C16, C31, C39, C46)	4	4	27		
2	5910-00-010-8159	3522 030 00730	CAPACITOR, FIXED, ELECTROLYTIC; 3,3 uF 15 V; (C25)	1	4	27		
3	5910-17-053-1293	3522 030 00910	CAPACITOR, FIXED, ELECTROLYTIC; 1 uF; 35 V; (C22)	1	4	27		
4	5910-17-039-9478	2222 344 21104	CAPACITOR, FIXED, METALLIZED PAPER DIELECTRIC; 0,1 uF 10 %; 100 V; (C23, C24)	2	4	27		
5	5910-17-050-6959	2222 344 21154	CAPACITOR, FIXED, METALLIZED PAPER DIELECTRIC; 0,15 uF 10 %; 100 V; (C21, C26)	2	4	27		
6		2222 809 05005	CAPACITOR, VARIABLE, PLASTIC DIELECTRIC 9 pF, (C35)	1	4	27		
7	5950-00-042-4694	3522 020 09920	COIL, RADIO FREQUENCY; 1,5 uH 10 %; (L1)	1	4	27		
8	5950-01-004-7261	3522 020 10000	COIL, RADIO FREQUENCY; 33 uH 10 %; (L2)	1	4	27		
9	5940-17-042-3575	4022 007 45083	CONTACT, ELECTRICAL	2	4	27	5	

Repair parts List RT-4600

Line No.	NATO Stocknumber	Mfg. Code No.	Description	Qua	Ech	Fig No	Key No	Remarks
	1	2	3	4	5	6	7	8
1	5950-00-035-4425	3522 020 62150	<u>FIXED DIVIDER AND 4/5 DIVIDER, 9 B</u> <u>part of MODULE, 9 (continued)</u> INDUCTOR, RADIO FREQUENCY; 100 uH; (L3)	1	4	27		
2	5970-17-034-1940	3522 114 02200	INSULATOR, DISK; for Transistor TS1 thru TS3, TS5, TS6, TS8 thru TS25	23	4	27	2	
3	5970-17-036-0255	3522 114 02800	INSULATOR, PLATE; for Capacitor C1 thru C6, C8 thru C10, C13, C14, C17 thru C21, C27, C28, C30, C32, C36, C37, C40, C43, C45, C47	32	4	27	4	
4	5999-17-050-2871	3522 114 11100	INSULATOR, PLATE, for Capacitor C7, C11, C16, C19, C31, C33, C34, C39, C44, C46	10	4	27	3	
5	5970-17-034-2555	3522 114 02500	INSULATOR, PLATE, for Resistor R6, R16, R26, R48, R52	5	4	27	6	
6	5905-01-031-9808	2322 151 51001	RESISTOR, FIXED, FILM; 100 ohm 1 %; (R7, R11)	2	4	27		
7		2322 151 51002	RESISTOR, FIXED, FILM; 1 kohm 1 %; (R15, R22, R49, R62)	4	4	27		
8	5905-01-021-0991	2322 151 51003	RESISTOR, FIXED, FILM; 10 kohm 1 %; (R29)	1	4	27		
9		2322 151 51212	RESISTOR, FIXED, FILM; 1,21 kohm 1%; (R8, R13)	2	4	27		

Repair parts List RT-4600

Line No.	NATO Stocknumber	Mfg. Code No.	Description	Qty	Fig No	Key No	Remarks
	1	2	3	4	5	6	7
							8
1		2322 151 51472	FIXED DIVIDER AND 4/5 DIVIDER, 9 B part of MODULE, 9 (continued)	1	4	27	
2		2322 151 51473	RESISTOR, FIXED, FILM; 1,47 kohm 1 %; (R80)	3	4	27	
3	5905-01-086-1704	2322 151 51474	RESISTOR, FIXED, FILM; 14,7 kohm 1 %; (R26, R30, R39)	1	4	27	
4		2322 151 51781	RESISTOR, FIXED, FILM; 147 kohm 1 %; (R44)	1	4	27	
5		2322 151 51782	RESISTOR, FIXED, FILM; 178 ohm 1 %; (R61)	2	4	27	
6		2322 151 51783	RESISTOR, FIXED, FILM; 1,78 kohm 1 %; (R56, R75)	3	4	27	
7		2322 151 51784	RESISTOR, FIXED, FILM; 17,8 kohm 1 %; (R50, R52, R64)	1	4	27	
8		2322 151 51962	RESISTOR, FIXED, FILM; 178 kohm 1 %; (R38)	1	4	27	
9		2322 151 52151	RESISTOR, FIXED, FILM; 1,96 kohm 1 %; (R82)	2	4	27	
10		2322 151 52152	RESISTOR, FIXED, FILM; 215 ohm 1 %; (R17, R21)	1	4	27	
			RESISTOR, FIXED, FILM; 2,15 kohm 1 %; (R70)	1	4	27	

Repair parts List RT-4600

Line No.	NATO Stocknumber	Mfg. Code No.	Description	Qua	Ech	Fig No	Key No	Remarks
	1	2	3	4	5	6	7	8
			<u>FIXED DIVIDER AND 4/5 DIVIDER, 9 B</u> <u>part of MODULE, 9 (continued)</u>					
1		2322 151 52154	RESISTOR, FIXED, FILM; 215 kohm 1 %; (R40 thru R42)	3	4	27		
2		2322 151 52159	RESISTOR, FIXED, FILM; 21,5 ohm 1 %; (R1, R76)	2	4	27		
3		2322 151 52611	RESISTOR, FIXED, FILM; 261 ohm 1 %; (R3)	1	4	27		
4		2322 151 52612	RESISTOR, FIXED, FILM; 2,61 kohm 1 %; (R18, R23, R25, R32)	4	4	27		
5	5905-01-096-8509	2322 151 52614	RESISTOR, FIXED, FILM; 261 kohm 1 %; (R83)	1	4	27		
6		2322 151 52872	RESISTOR, FIXED, FILM; 2,87 kohm 1 %; (R34)	1	4	27		
7		2322 151 53162	RESISTOR, FIXED, FILM; 3,16 kohm 1 %; (R6, R9, R10, R74, R78)	5	4	27		
8		2322 151 53163	RESISTOR, FIXED, FILM; 31,6 kohm 1 %; (R48)	1	4	27		
9		2322 151 53831	RESISTOR, FIXED, FILM; 383 ohm 1 %; (R5, R12, R27, R31)	4	4	27		
10	5905-01-038-7843	2322 151 53832	RESISTOR, FIXED, FILM; 3,83 kohm 1 %; (R45, R47, R55, R63, R65)	5	4	27		

Repair parts List RT-4600

Line No.	NATO Stocknumber	Mfg. Code No.	Description	Qty	Ech	Fig No	Key No	Remarks
	1	2	3	4	5	6	7	8
1		2322 151 53833	<u>FIXED DIVIDER AND 4/5 DIVIDER, 9 B</u> <u>part of MODULE, 9 (continued)</u> RESISTOR, FIXED, FILM; 38,3 kohm 1 %; (R66, R67)	2	4	27		
2		2322 151 54222	RESISTOR, FIXED, FILM; 4,22 kohm 1 %; (R73)	1	4	27		
3	5905-01-078-6611	2322 151 54642	RESISTOR, FIXED, FILM; 4,64 kohm 1 %; (R46, R51)	2	4	27		
4	5905-01-057-3031	2322 151 54643	RESISTOR, FIXED, FILM; 46,4 kohm 1 %; (R54)	1	4	27		
5	5905-01-055-8908	2322 151 54649	RESISTOR, FIXED, FILM; 46,4 ohm 1 %; (R72, R79)	2	4	27		
6		2322 151 55622	RESISTOR, FIXED, FILM; 5,62 kohm 1 %; (R28, R33, R36)	3	4	27		
7		2322 151 55623	RESISTOR, FIXED, FILM; 56,2 kohm 1 %; (R37, R57)	2	4	27		
8		2322 151 56192	RESISTOR, FIXED, FILM; 6,19 kohm 1 %; (R19)	1	4	27		
9		2322 151 56812	RESISTOR, FIXED, FILM; 6,81 kohm 1 %; (R16, R20, R43, R71, R81)	5	4	27		
10		2322 151 58251	RESISTOR, FIXED, FILM; 825 ohm 1 %; (R2)	1	4	27		

Repair parts List RT-4600

Line No.	NATO Stocknumber	Mfg. Code No.	Description	Qua	Ech	Fig No	Key No	Remarks
	1	2	3	4	5	6	7	8
1		2322 151 58253	FIXED DIVIDER AND 4/5 DIVIDER, 9 B part of MODULE, 9 (continued) RESISTOR, FIXED, FILM; 82,5 kohm 1 %; (R60)	1	4	27		
2		2322 151 59092	RESISTOR, FIXED, FILM; 9,09 kohm 1 %; (R53, R69)	2	4	27		
3	5905-17-033-8421	2322 635 01472	RESISTOR, THERMAL; 4,7 kohm 20 %; 0,6 W; (R77)	1	4	27		
4	5961-00-938-1135	3522 030 01430	SEMICONDUCTOR DEVICE, DIODE; type BAW62; (GR1 thru GR8, GR11, GR16)	10	4	27		
5	5961-00-926-0237	3522 030 00100	TRANSISTOR; type BSX20; (TS1 thru TS3, TS5, TS6, TS8 thru TS10, TS17 thru TS19, TS22, TS23, TS25)	14	4	27		
6		3522 030 04460	TRANSISTOR; type 2N2907A; (TS11, TS13, TS15, TS16)	4	4	27		
7	5961-00-232-3178	9331 463 70112	TRANSISTOR; type 2N2894A; (TS24)	1	4	27		
8	5961-17-050-2831	9331 723 60112	TRANSISTOR; type BCY59/9; (TS12, TS14, TS20, TS21)	4	4	27		

Repair parts List RT-4600

Line No.	NATO Stocknumber	Mfg. Code No.	Description	Qty	Ech	Fig No	Key No	Remarks
	1	2	3	4	5	6	7	8
1	5820-17-052-3328	3522 156 01620	<u>MODULE, 9 (continued)</u> MATRIX, 9 C	1	4	28	1	
2	5305-17-050-2898	2522 001 17044	<u>secured with:</u> SCREW, FL-FIL-HD; corr-res-s; type AM 2 x 5 NEN 1602	4	4			
3	5310-12-174-8362	2522 600 27151	WASHER, FLAT; corr-res-s;	4	4			
4	5310-12-166-9422	2522 613 12001	type A 2,2 NEN 2269 WASHER, LOCK; corr-res-s;	4	4			
5		2222 630 01472	type B 2,1 NEN 1197 CAPACITOR, FIXED, CRAMIC DIELECTRIC; 4700 pF 10 %; 100 V; (C1)	1	4	28		
6	5935-17-052-9957	2422 062 90004	CONNECTOR, RECEPTACLE, ELECTRICAL	1	4	28	4	
7	5950-00-035-4425	3522 020 62150	INDUCTOR, RADIO FREQUENCY; (L1)	1	4	28		
8	5970-17-034-1940	3522 114 02200	INSULATOR, DISK; for Transistor TS1	1	4	28	2	
9	5970-17-036-0255	3522 114 02800	INSULATOR; PLATE; for Capacitor C1	1	4	28	3	
10	5962-01-057-5331	3522 023 08800	INTEGRATED CIRCUIT; type 4001AE; (U1, U2)	2	4	28		
11	5962-01-015-5314	3522 023 08810	INTEGRATED CIRCUIT; type 4011AE; (U3, U4)	2	4	28		
12	5962-01-094-8242	3522 023 08880	INTEGRATED CIRCUIT; type 4025AE; (U5 thru U7)	3	4	28		

Repair parts List RT-4600

Line No.	NATO Stocknumber	Mfg. Code No.	Description	Qua	Ech	Fig No	Key No	Remarks
	1	2	3	4	5	6	7	8
			<u>MATRIX, 9C part of MODULE, 9</u> <u>(continued)</u>					
1	5905-01-038-6293	2322 151 51004	RESISTOR, FIXED, FILM; 100 kohm 1 %; (R5, R9)	2	4	28		
2		2322 151 52613	RESISTOR, FIXED, FILM; 26,1 kohm 1 %; (R1, R2, R4)	3	4	28		
3		2322 151 55623	RESISTOR, FIXED, FILM; 56,2 kohm 1 %; (R6)	1	4	28		
4		2322 151 58253	RESISTOR, FIXED, FILM; 82,5 kohm 1 %; (R3, R7, R8)	3	4	28		
5	5961-00-938-1135	3522 030 01430	SEMICONDUCTOR DEVICE, DIODE; type BAW62; (GR1 thru GR37, GR40, GR49, GR50)	40	4	28		
6	5961-12-159-9467	9331 177 90113	SEMICONDUCTOR DEVICE, DIODE; type BZX79/C10; GR38, GR39, GR41 thru GR48)	10	4	28		
7	5961-17-050-2831	9331 723 60112	TRANSISTOR; type BCY59/9; (TS1)	1	4	28		

Repair parts List RT-4600

Line No.	NAVO Stocknumber	Mfg. Code No.	Description	Qua	Ech	Fig No	Key No	Remarks
	1	2	3	4	5	6	7	8
1	5330-17-033-5825	2622 080 30708	<u>MODULE, 9 (continued)</u> O-RING; ru; 10,31 mm od; 6,75 mm id; 1,78 mm thk	4	4	25	8	
2	5330-12-194-1778	3522 074 11200	RING, SEALING; ru; 12 mm od; 6 mm id; 4 mm thk	4	4	25	7	
3	5930-17-054-8666	3522 023 04230	SWITCH, ROTARY	1	4	25	2	
4	5930-17-054-8668	3522 023 04240	SWITCH, ROTARY	2	4	25	4	
5	5930-17-054-8667	3522 023 04250	SWITCH, ROTARY	1	4	25	5	
6	5310-17-036-7339	2522 600 10147	WASHER, FLAT; br ni-pltd; type A 6,4 NEN 2269	4	4	25	9	

Repair parts List RT-4600

Line No.	NATO Stocknumber	Mfg. Code No.	Description	Qua	Bch	Fig No	Key No	Remarks
	1	2	3	4	5	6	7	8
1	5820-17-052-3331	3522 156 01720	MODULE, 10 A	1	4	29	1	
2	5305-12-158-8221	2522 001 17045	<u>secured with:</u> SCREW, FL-FIL-HD; corr-res-s; type AM 2 x 6 NEN 1602 consisting of the following spare <u>parts:</u>	24	4			
3	6145-00-814-1209	0722 100 10004	CABLE, RADIO FREQUENCY; 50 ohm; white	1	4	29	7	Quantity in metres
4	6145-17-052-9861	0722 100 11001	CABLE, RADIO FREQUENCY; 50 ohm; black	2	4	29	8	Quantity in metres
5		2222 630 03472	CAPACITOR, FIXED, CERAMIC DIELECTRIC; 4700 pF 10 %; 100 V (C1 thru C12)	12	4	29		
6		2222 638 10101	CAPACITOR, FIXED, CERAMIC DIELECTRIC; 100 pF 2 %; 100 V; (C13)	1	4	29		
7	5950-00-279-6539	3522 020 62130	INDUCTOR, RADIO FREQUENCY; 47 uH; (L1, L2)	2	4	29		
8	5961-00-938-1135	3522 030 01430	SEMICONDUCTOR DEVICE, DIODE; type BAW62 (GR1)	1	4	29		
9	5935-17-054-0119	3522 154 13200	TERMINAL BLOCK; 2 x 4 poles	3	4	29	6	
10	5935-17-054-0319	3522 154 13300	TERMINAL BLOCK; 2 x 6 poles	2	4	29	9	
11	5935-17-052-7790	4322 027 76720	TERMINAL BLOCK; 2 x 4 poles	18	4	29	3	
12	5935-17-052-7789	4322 027 76730	TERMINAL BLOCK; 2 x 6 poles	8	4	29	4	

Repair parts List RT-4600

Line No.	NATO Stocknumber	Mfg. Code No.	Description	Qua	Ech No	Fig No	Key No	Remarks
	1	2	3	4	5	6	7	8
1	5935-17-052-9859	4322 027 76740	<u>MODULE, 10 A (continued)</u> TERMINAL BLOCK; 10 poles	3	4	29	2	
2	5935-17-054-0288	3522 154 05400	TERMINAL BLOCK ASSEMBLY <u>secured with:</u>	1	4	29	10	
3	5305-12-158-8221	2522 001 17045	SCREW, FL-FIL-HD; corr-res-s; type AM 2 x 6 NEN 1602	3	4			
4	5310-12-174-8362	2522 600 27151	WASHER, FLAT; corr-res-s; type A 2,2 NEN 2269	3	4			
5	5999-00-978-2569	3522 020 71990	TERMINAL PLUG	2	4	29	5	

Repair parts List RT-4600

List of Figures RT-4600

- Fig. 1 RECEIVER TRANSMITTER, RADIO RT-4600
- 2 RECEIVER TRANSMITTER, RADIO RT-4600
- 3 CABINET, ELECTRICAL EQUIPMENT (version 1)
- 4 FRONT VIEW, RT-4600
- 5 FRONT, RT-4600 (inside view)
- 6 FRAME ASSEMBLY RT-4600
- MODULE 11
- 7 ANTENNA MATCHING
- 8 11A, ANTENNA TUNER
- MODULE 2
- 9 RF-SECTION AND MIXER STAGE
- 10 2A, RF-SECTION I and II
- 11 2 B, RF-SECTION III, MIXER AND 11,5 MHz DETECTOR
- 12 MODULE, EXPLODED VIEW
- MODULE 3
- 13 3 A, AMPLIFIER, INTERMEDIATE FREQUENCY
- 14 3 B SQUELCH DETECTOR AND TONE GENERATOR
- MODULE 4
- 15 4 A, TRANSMITTER OSCILLATOR AND MIXER STAGE

Repair parts List RT-4600

Fig. 16 4 B, LOOP, TRANSMITTER PRESET AND PHASE DETECTOR

MODULE 205

17 105 A, REFERENCE GENERATOR AND AMPLIFIER AUDIO
FREQUENCY

18 5 B, MICROPHONE AMPLIFIER, MODULATOR AND PILOT
OSCILLATOR

MODULE 6

19 6 A, RECEIVE OSCILLATOR AND SAMPLE AND HOLD
DISCRIMINATOR

20 6 B, RADIO FREQUENCY SECTION, TUNER

MODULE 7

21 7 A, POWER SUPPLY SWITCH

22 7 B, POWER SUPPLY UNIT

MODULE 8

23 8 A, TRANSMITTER AMPLIFIER AND LOW-PASS FILTERS

24 8 B, BRACKET ASSEMBLY

MODULE 9

25 MODULE 9 (exploded view)

26 9A, DECADE-DIVIDER

27 9B, FIXED DIVIDER AND 4/5 DIVIDER

28 9 C, MATRIX

MODULE, 10 A

29 PLATE ASSEMBLY

Repair parts list RT-4600

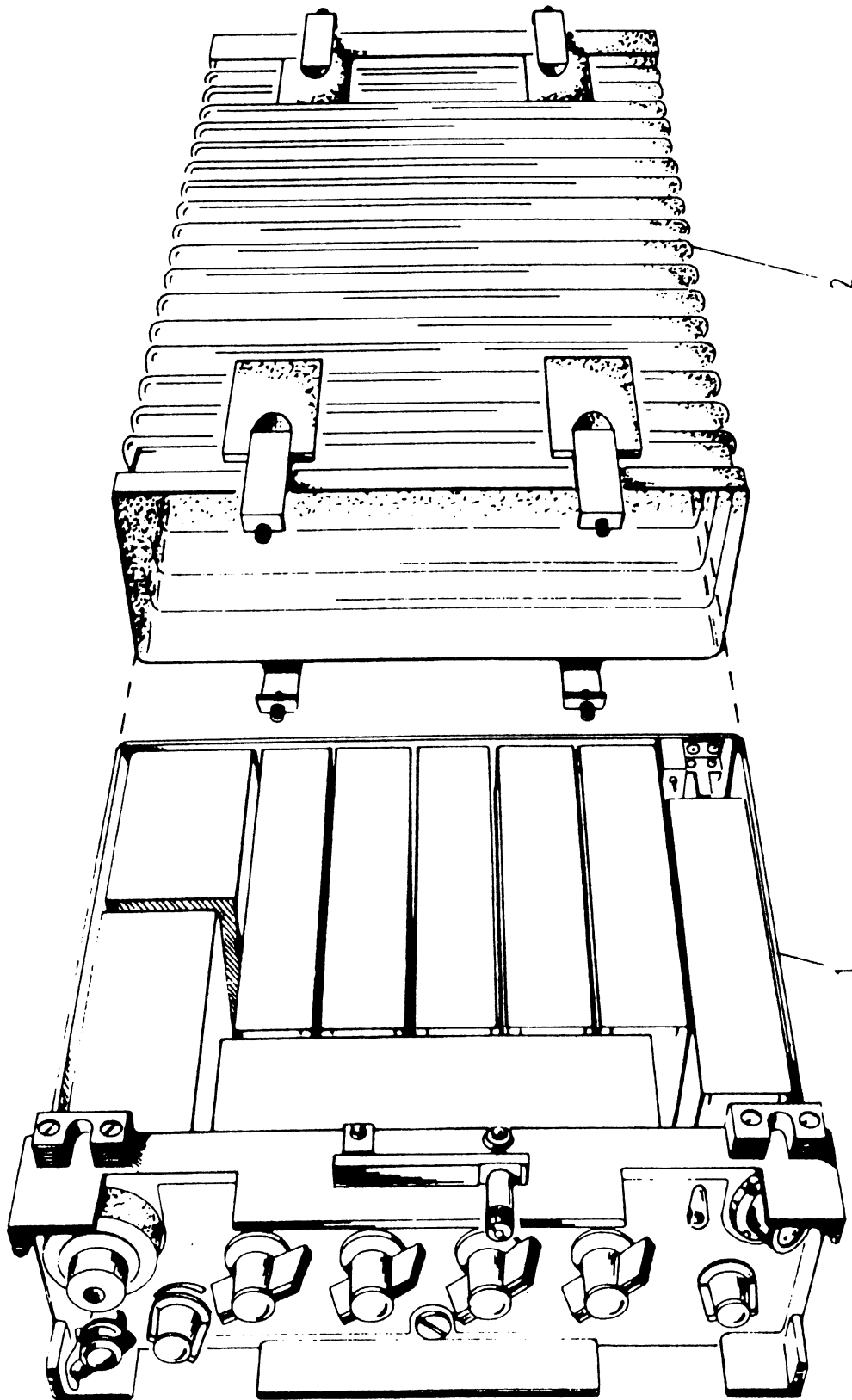


FIG.1 RECEIVER TRANSMITTER, RADIO RT-4600

Repair parts list RT-4600

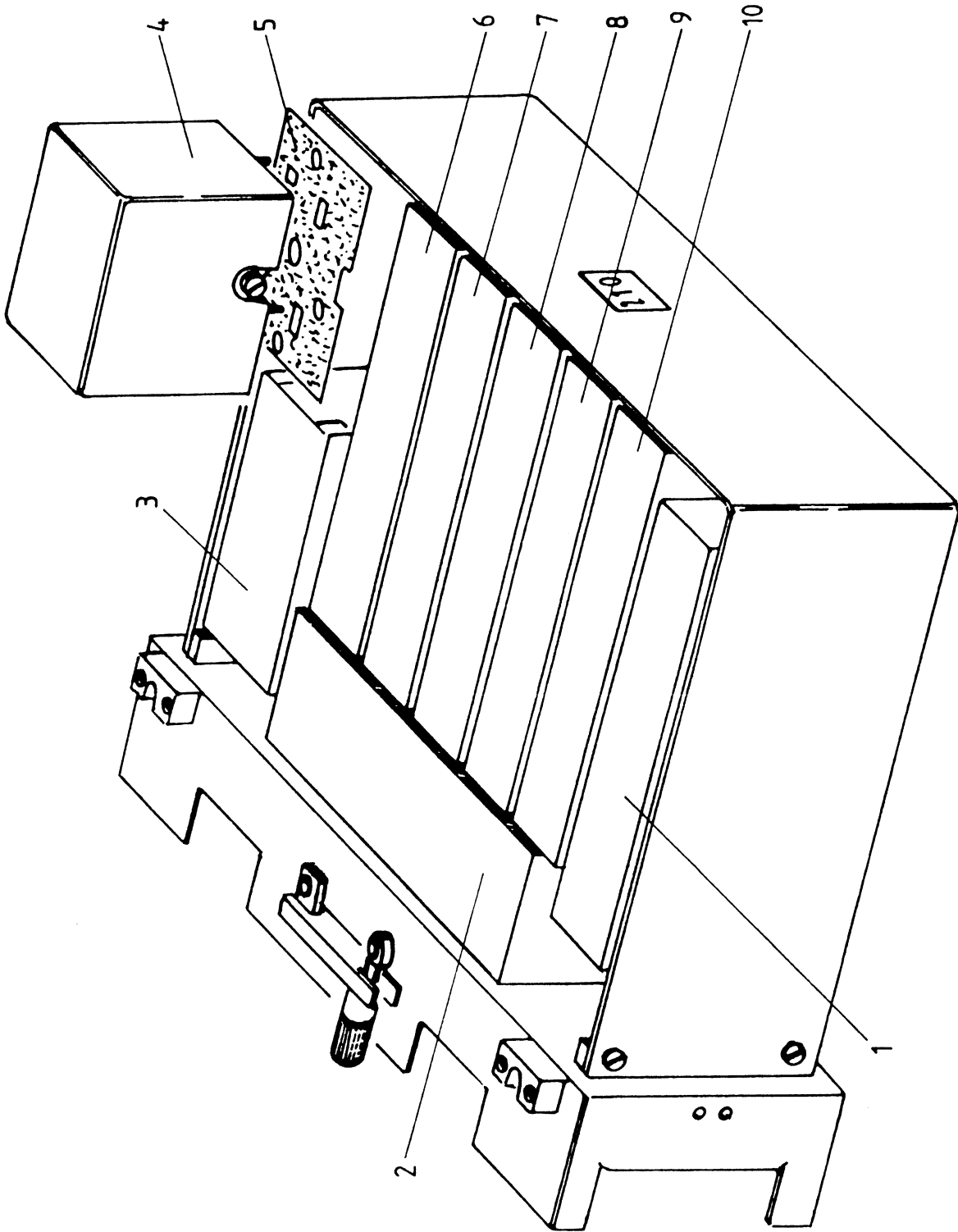


FIG.2 RECEIVER TRANSMITTER, RADIO RT-4600

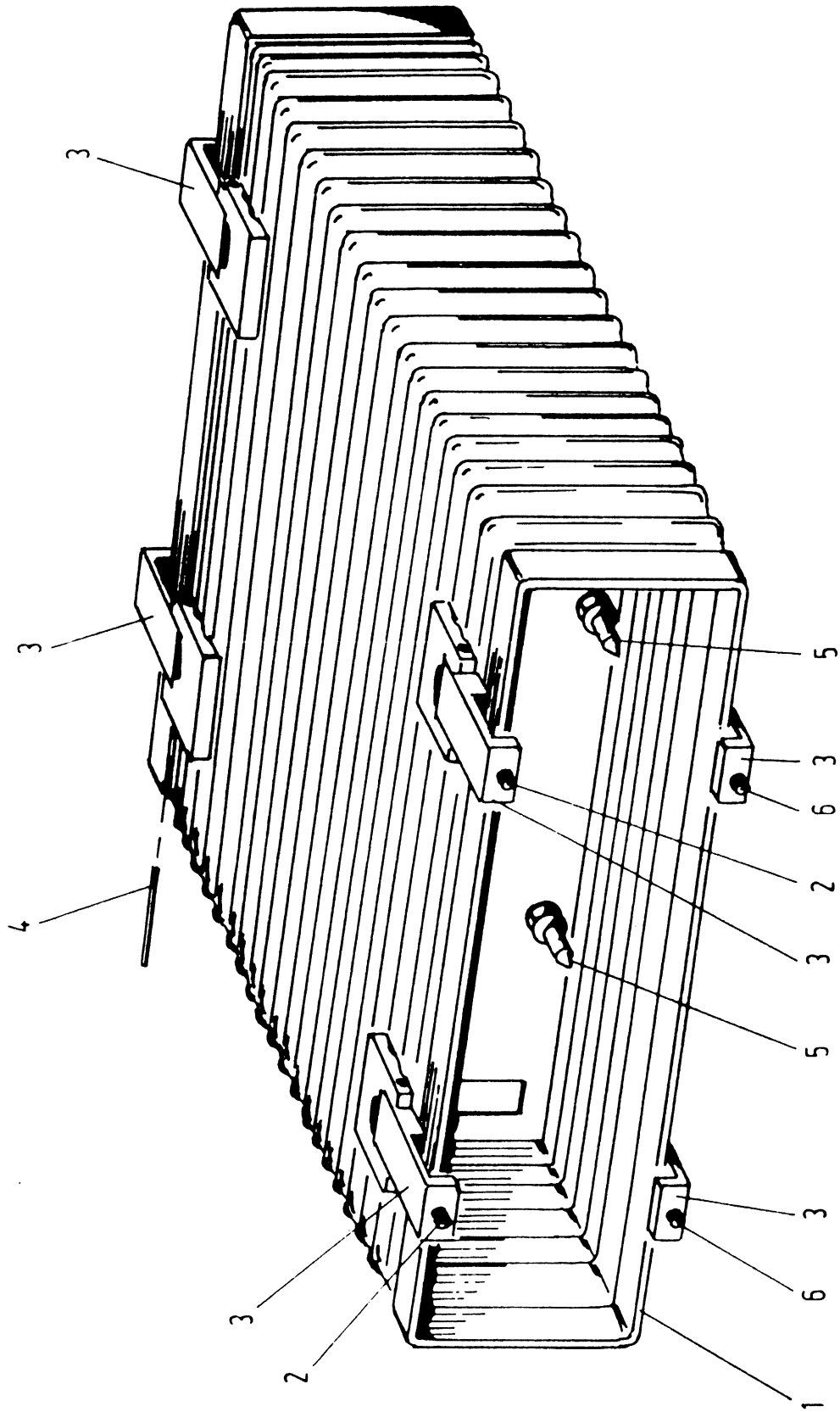


FIG.3 CABINET, ELECTRICAL EQUIPMENT (VERSION 1)

Repair parts list RT-4600

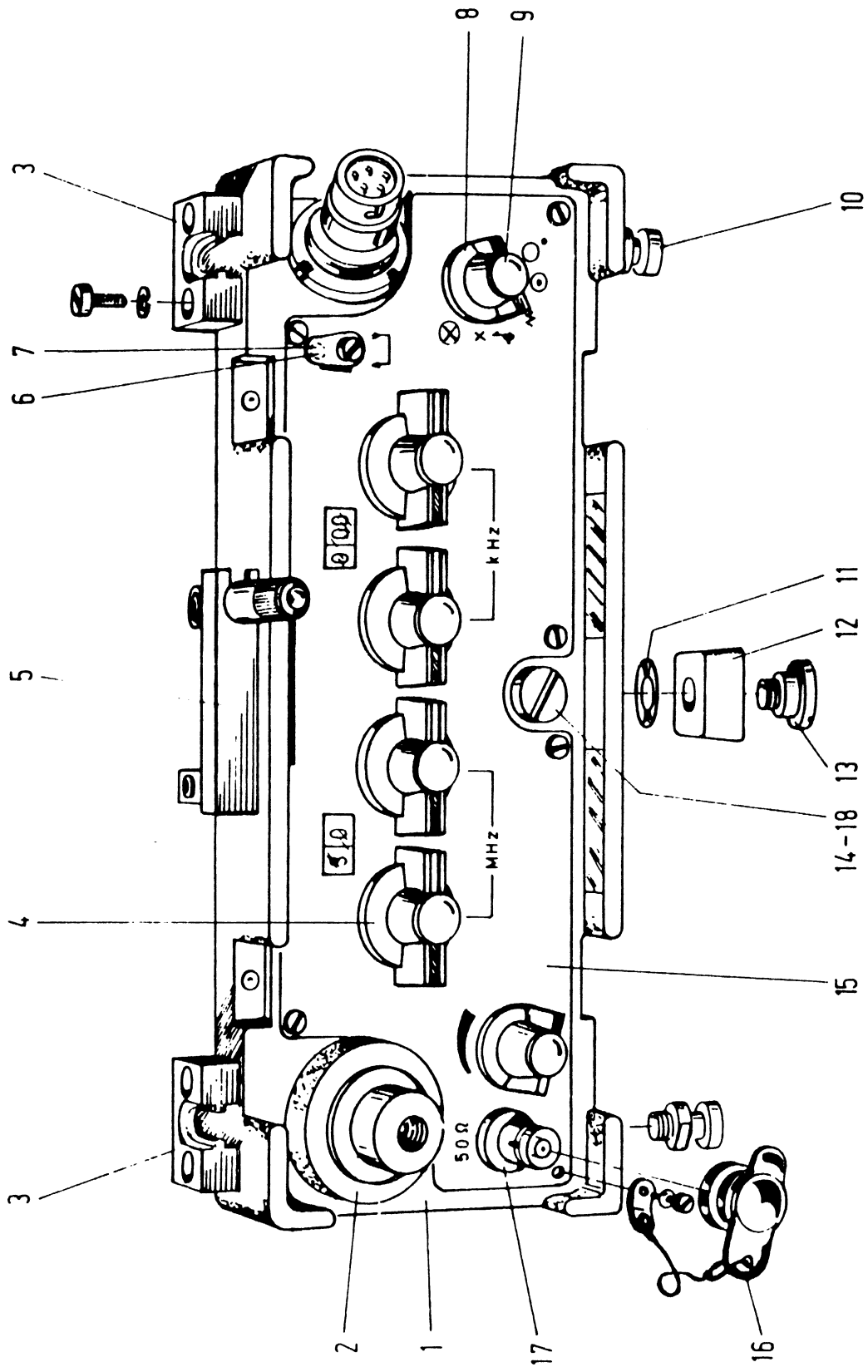


FIG. 4 FRONT VIEW, RT-4600

Repair parts list RT-4600

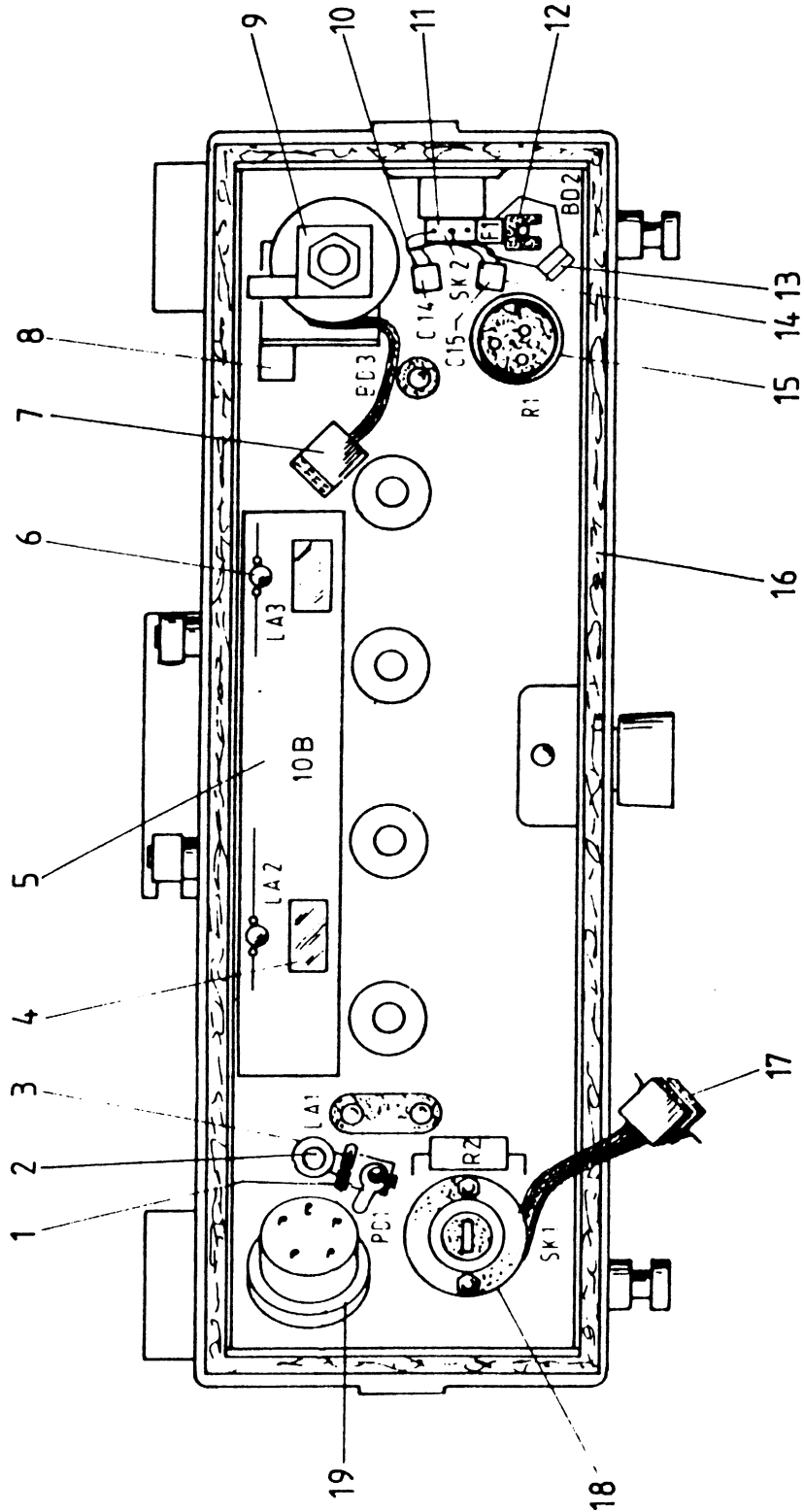


FIG. 5 FRONT, RT-4600 (INSIDE VIEW)

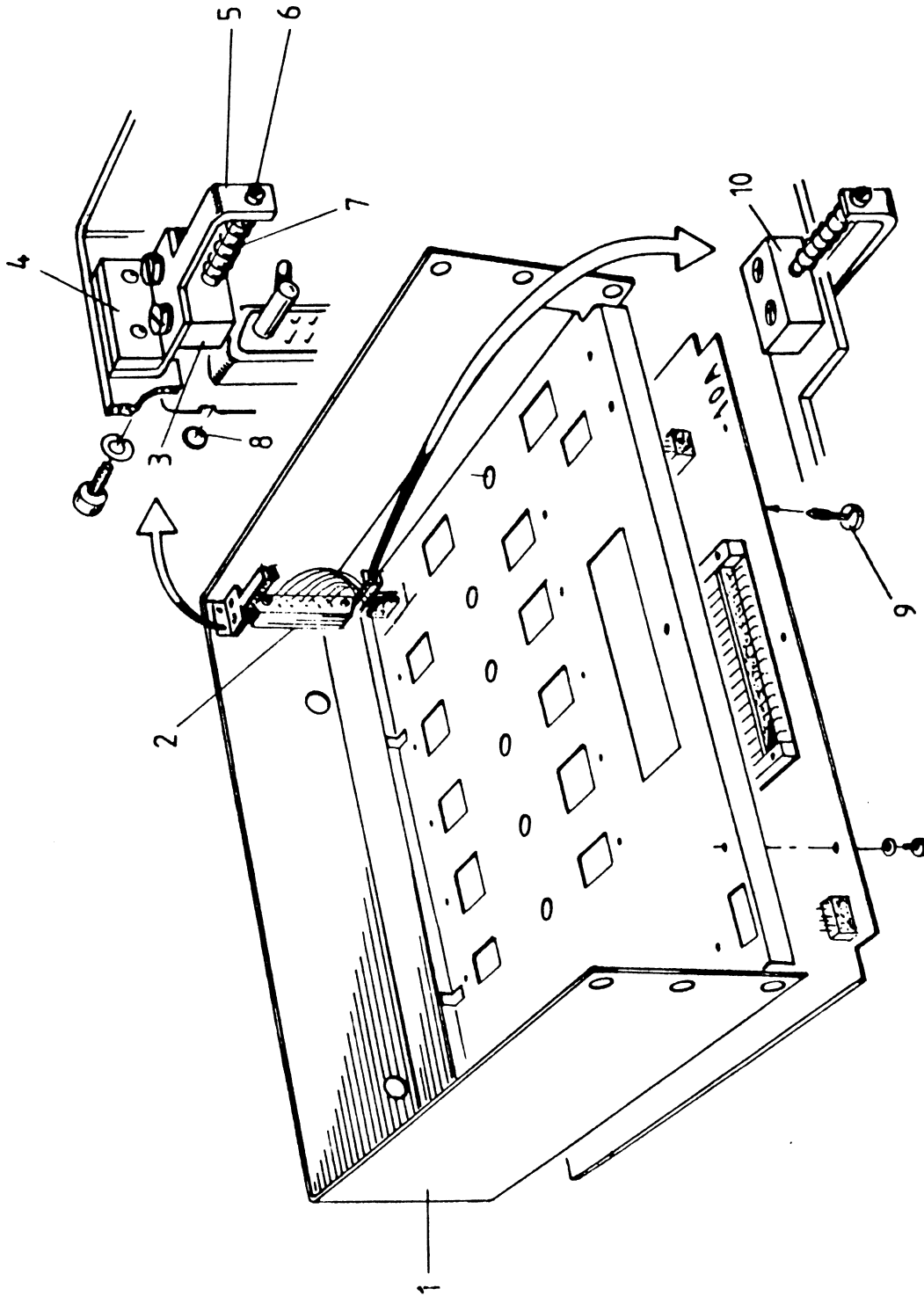


FIG. 6 FRAME ASSEMBLY RT-4600

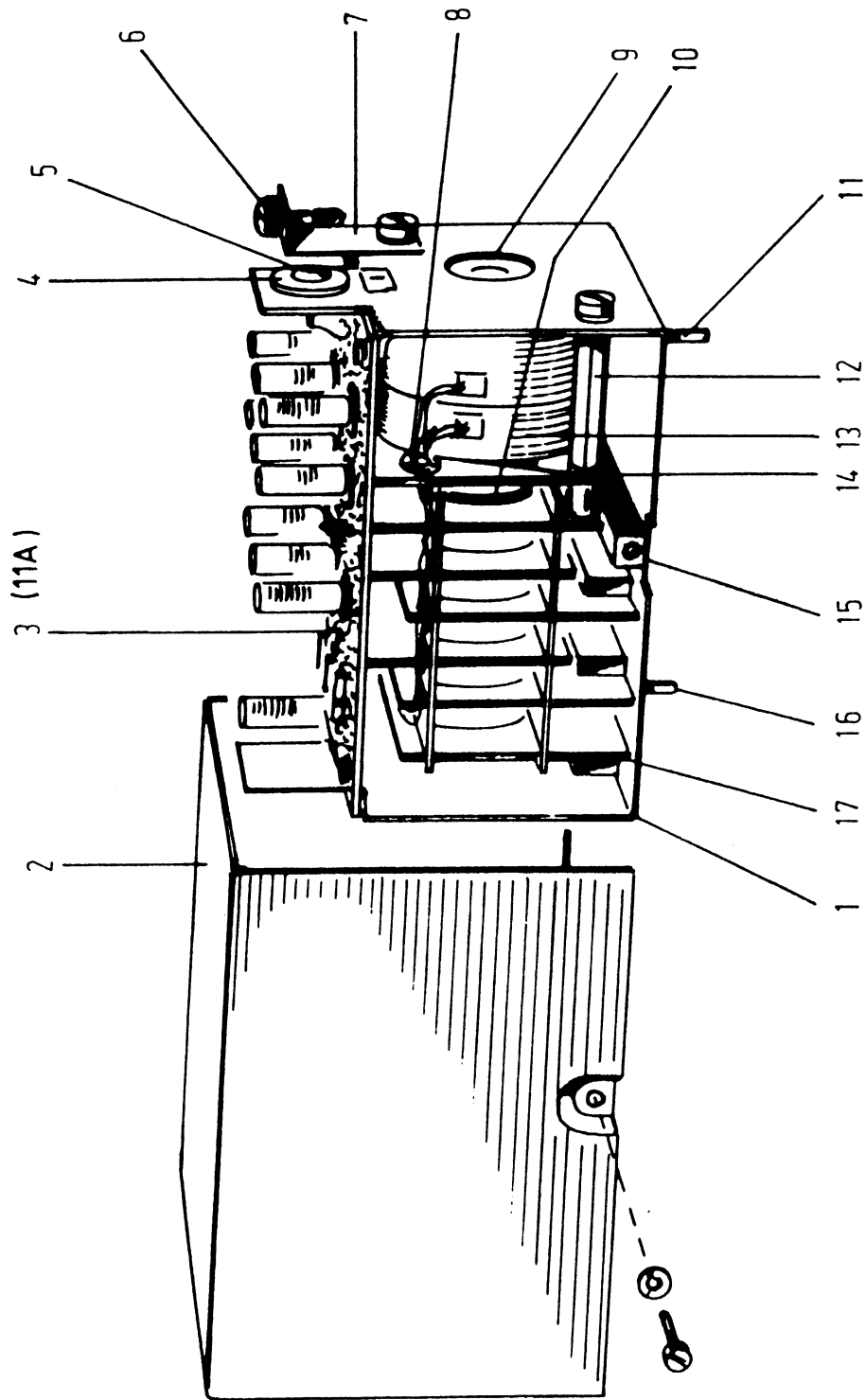


FIG. 7 MODULE 11 ANTENNA MATCHING

Repair parts list RT-4600

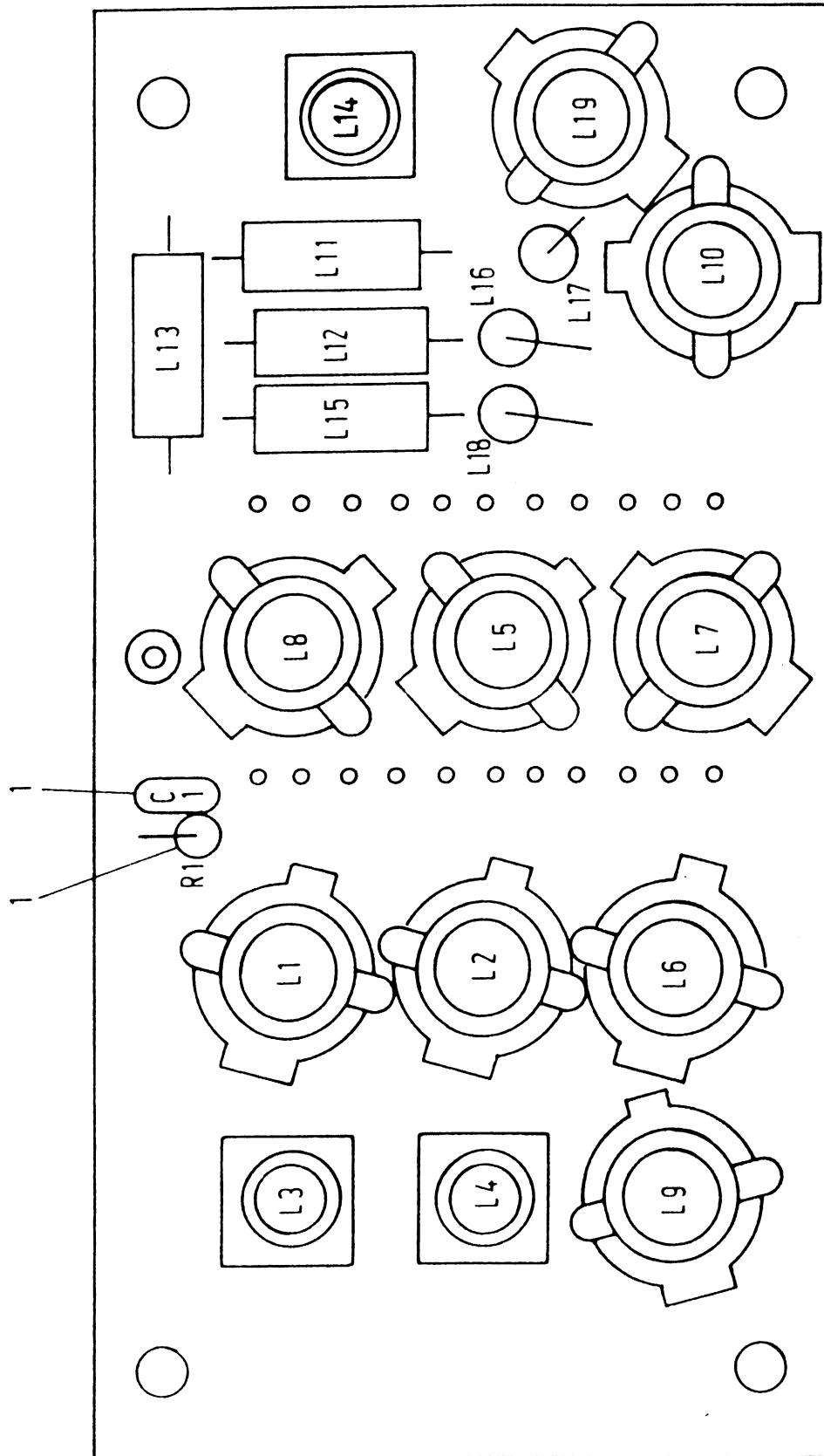


FIG.8 MODULE 11 A, ANTENNA TUNER

Repair parts list RT-4600

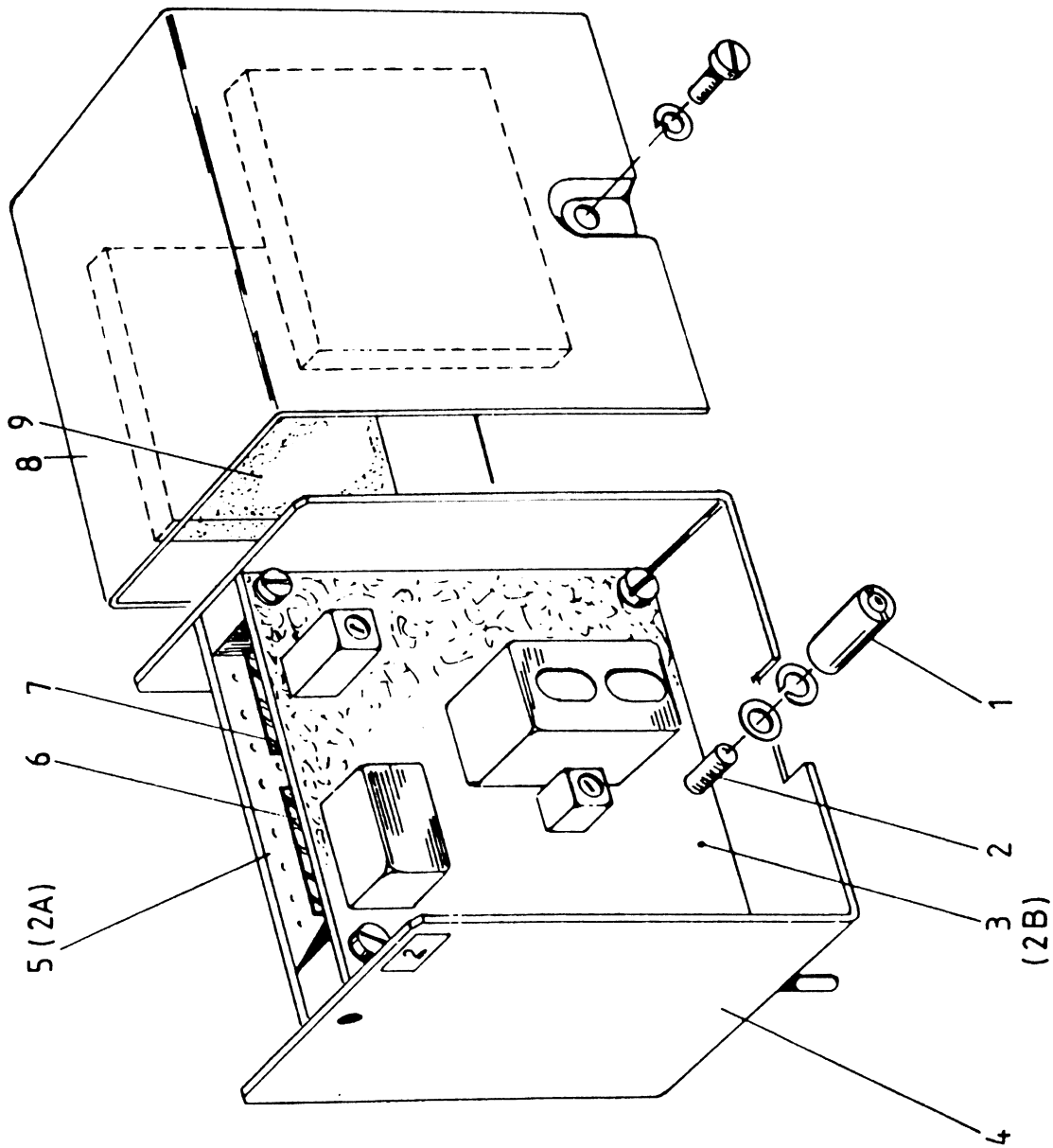


FIG.9 MODULE 2 , RF-SECTION AND MIXER STAGE

Repair parts list RT-4600

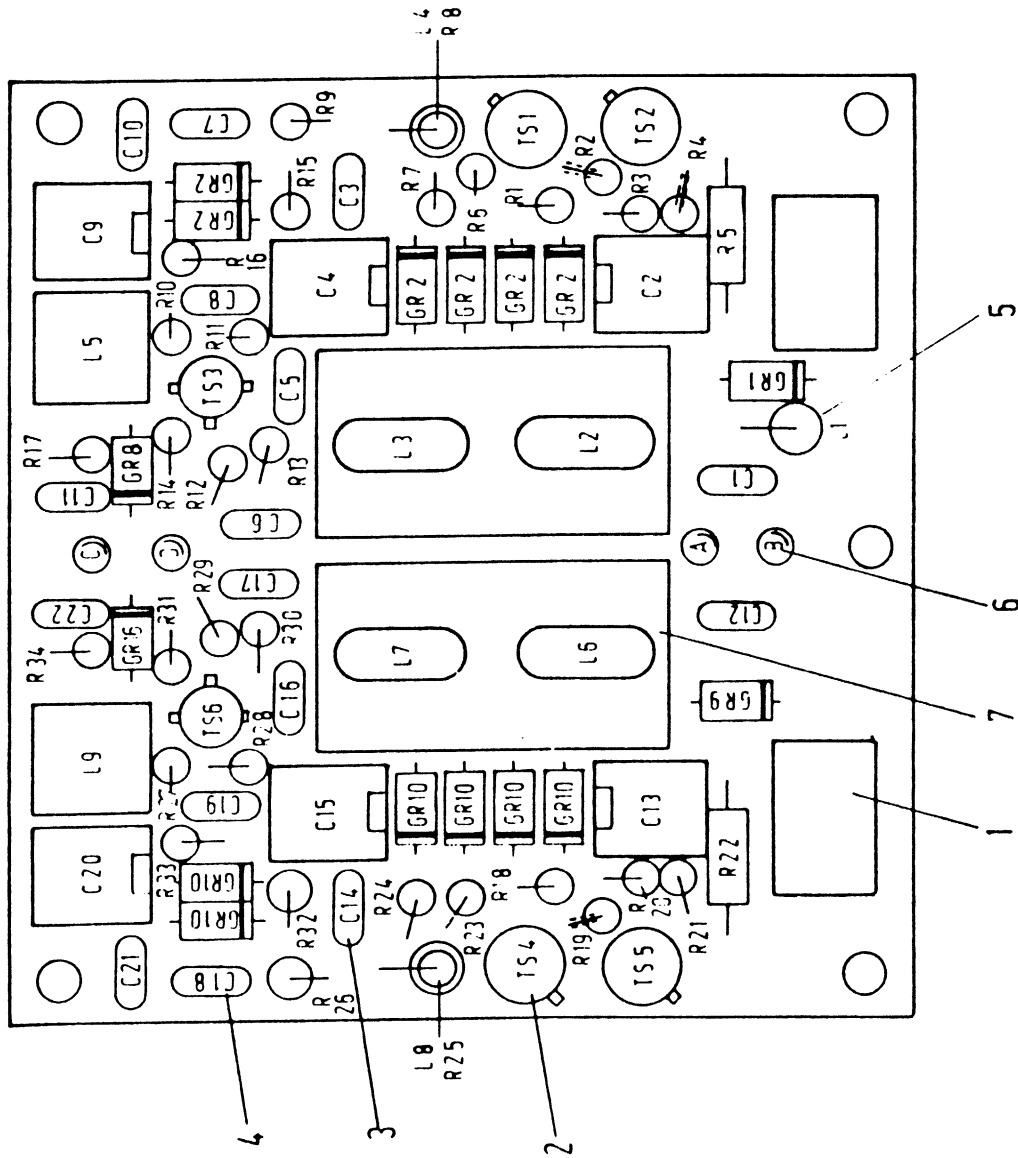


FIG. 10 MODULE 2A, RF-SECTION I+II

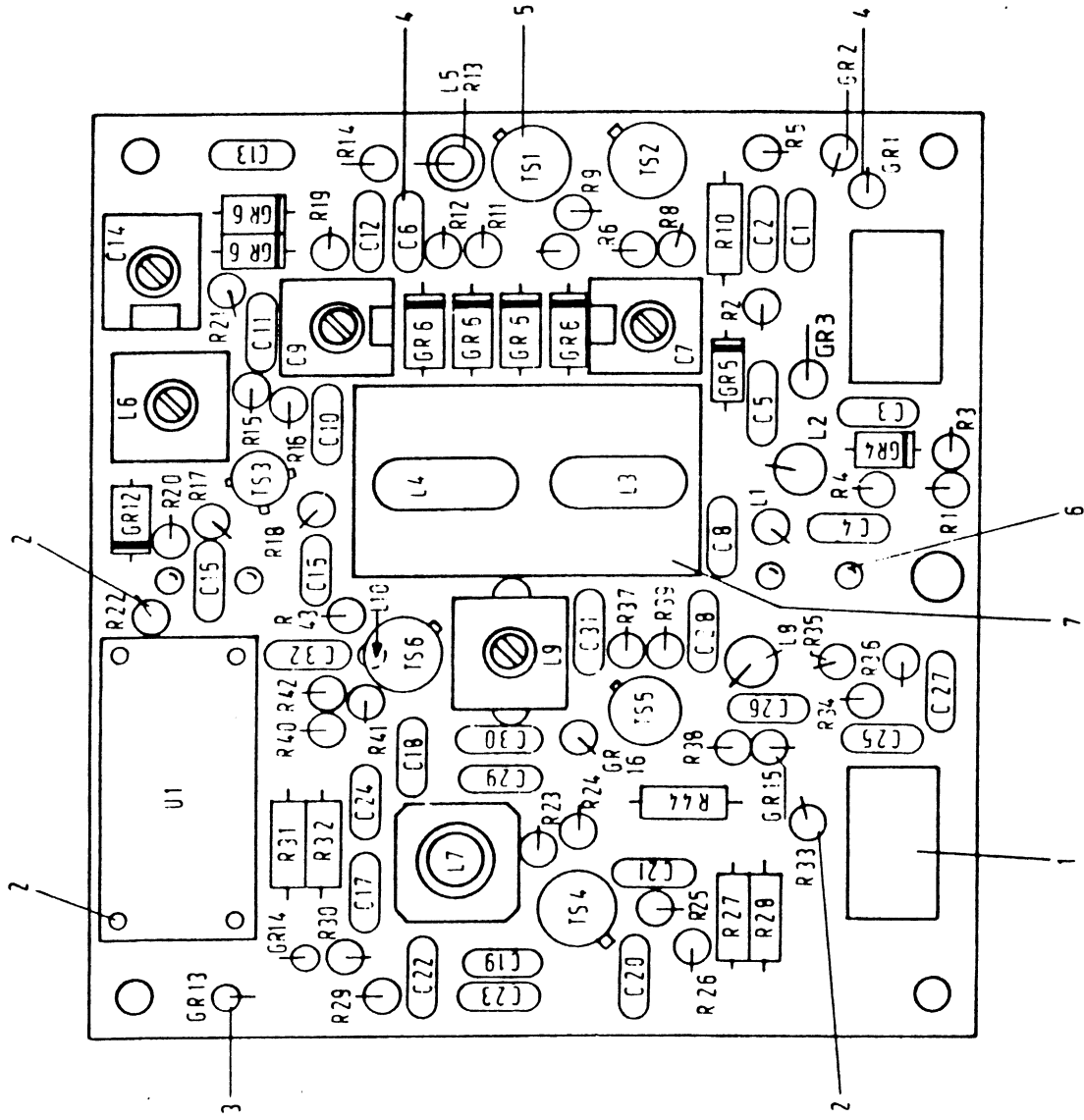


FIG. 11 MODULE 2B, RF-SECTION III, AND MIXER AND 11.5 MHz DETECTOR

Repair parts list RT-4600

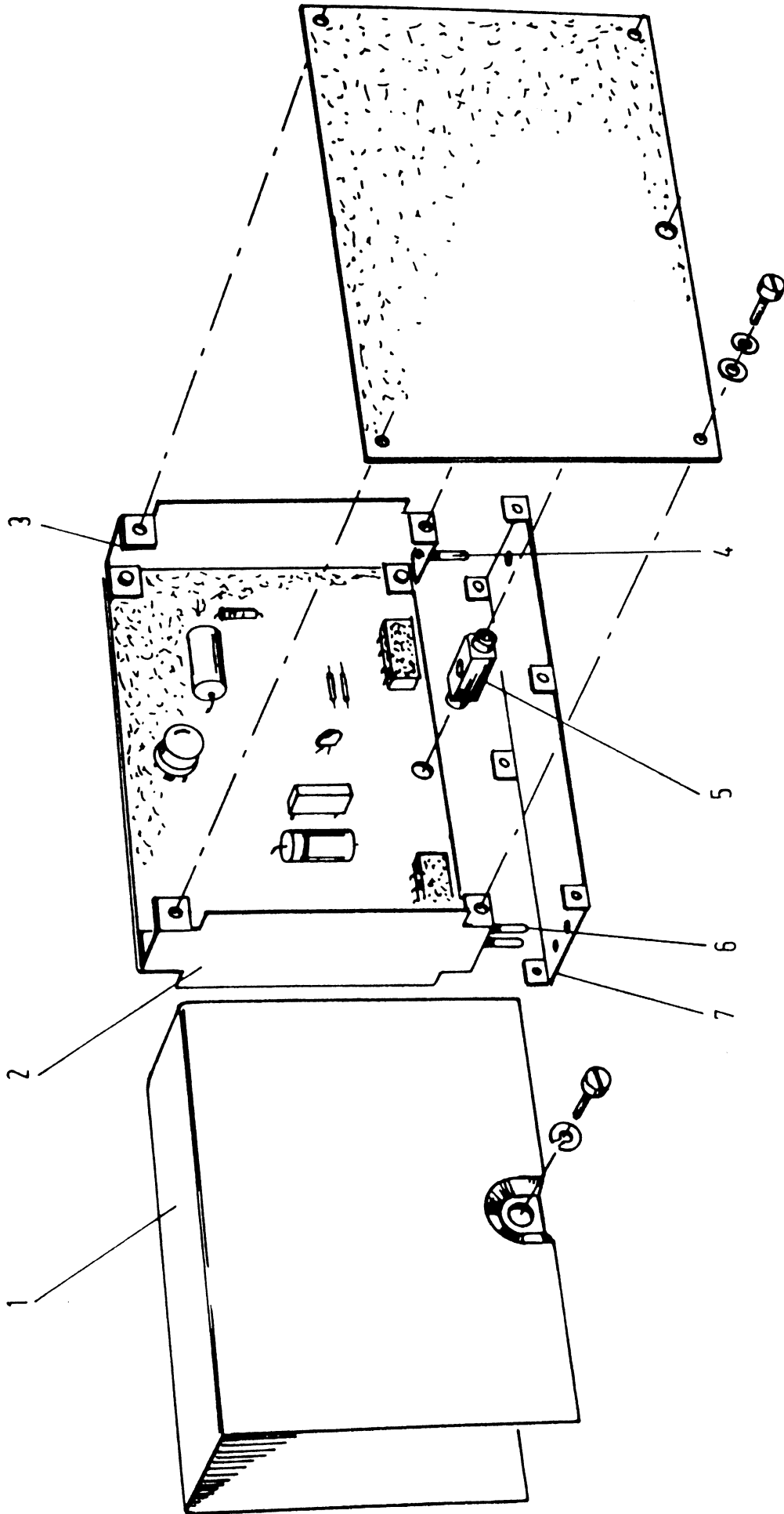


FIG. 12 - MODULE, EXPLODED VIEW

HGT 5-2118e

Repair parts list RT-4600

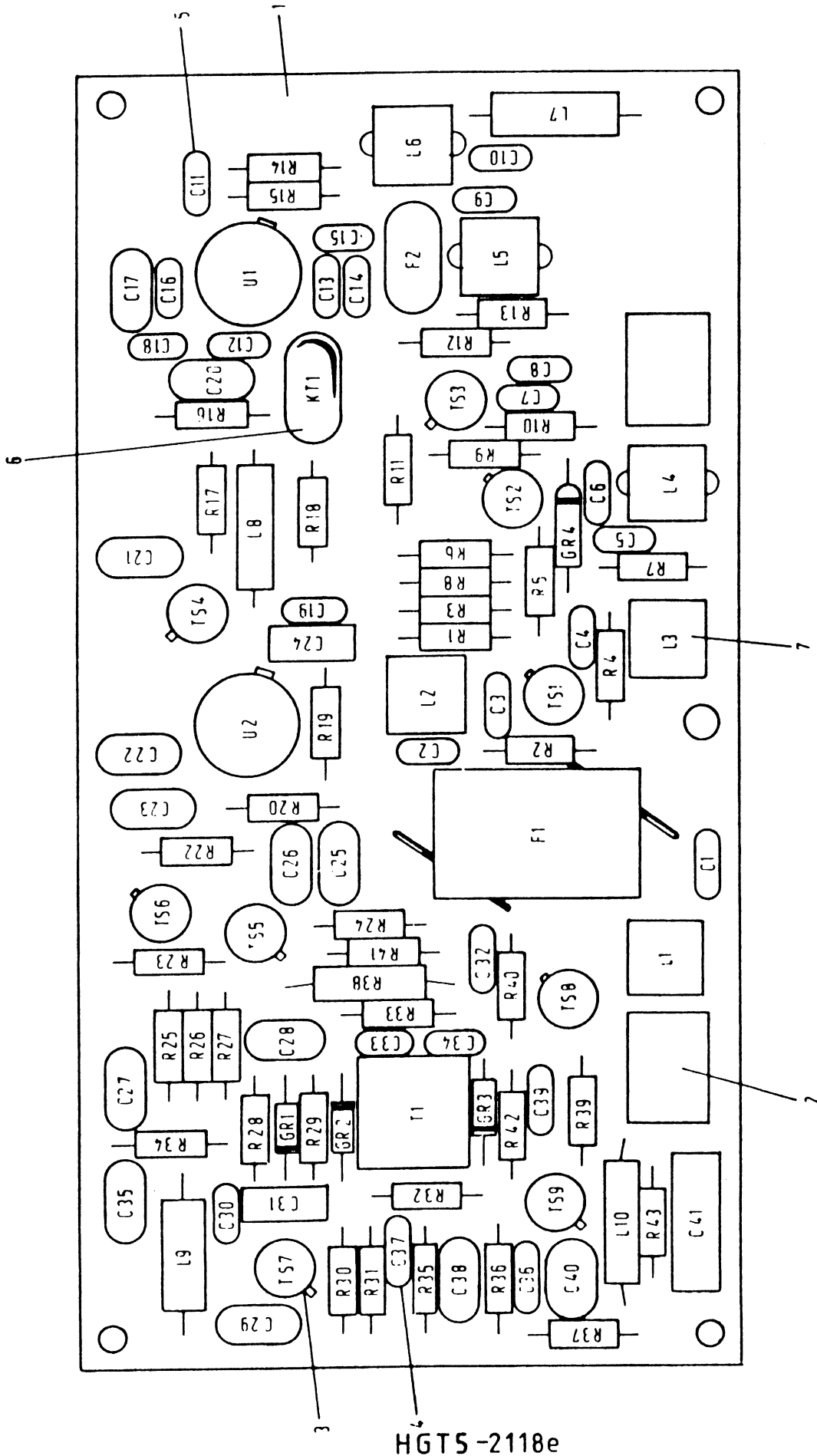


FIG.13 MODULE 3A, IF-AMPLIFIER

HGT5-2118e

Repair parts list RT-4600

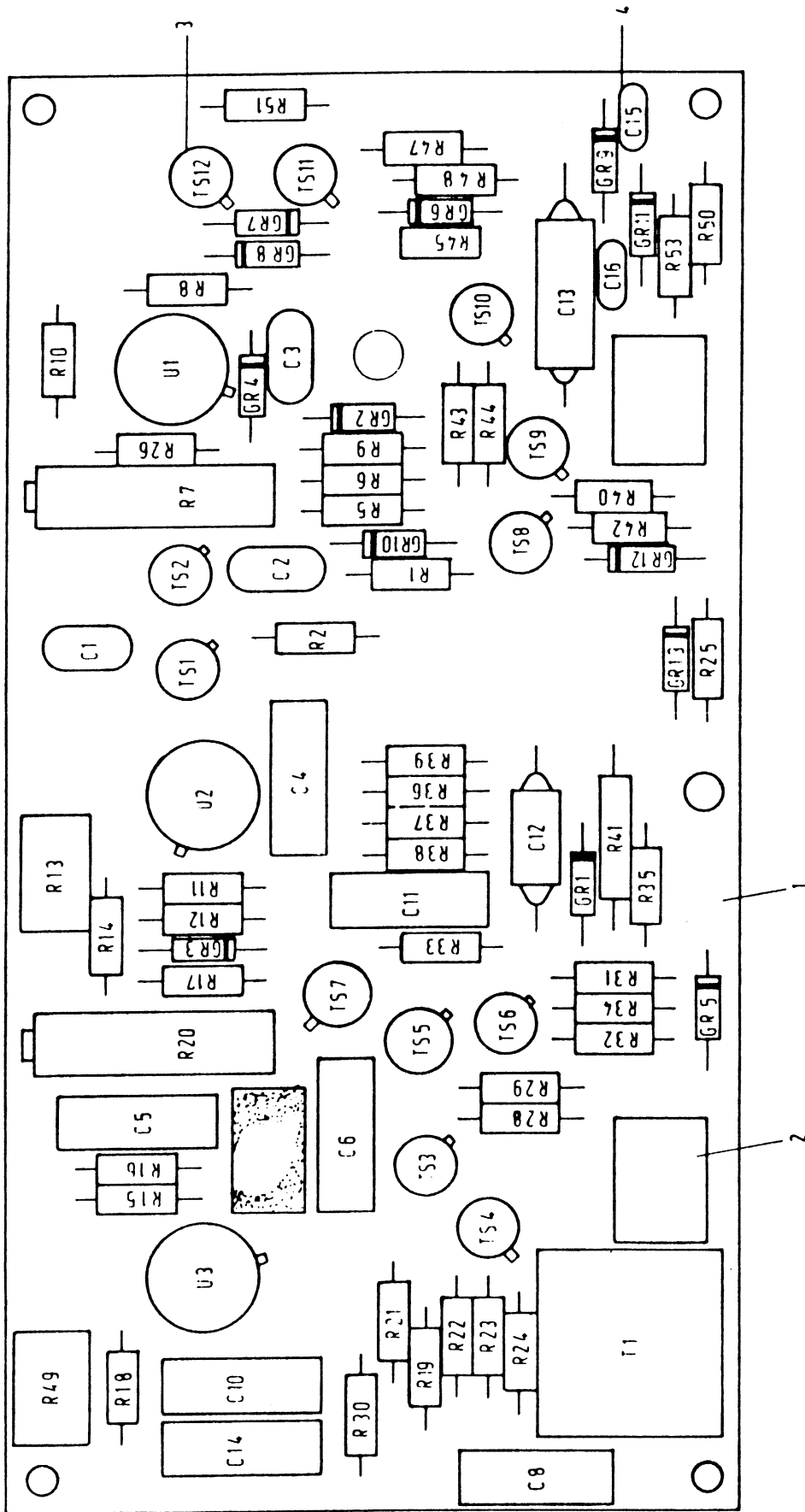


FIG.14 MODULE 3B, SQUELCH DETECTOR AND TONE GENERATOR

Repair parts list RT-4600

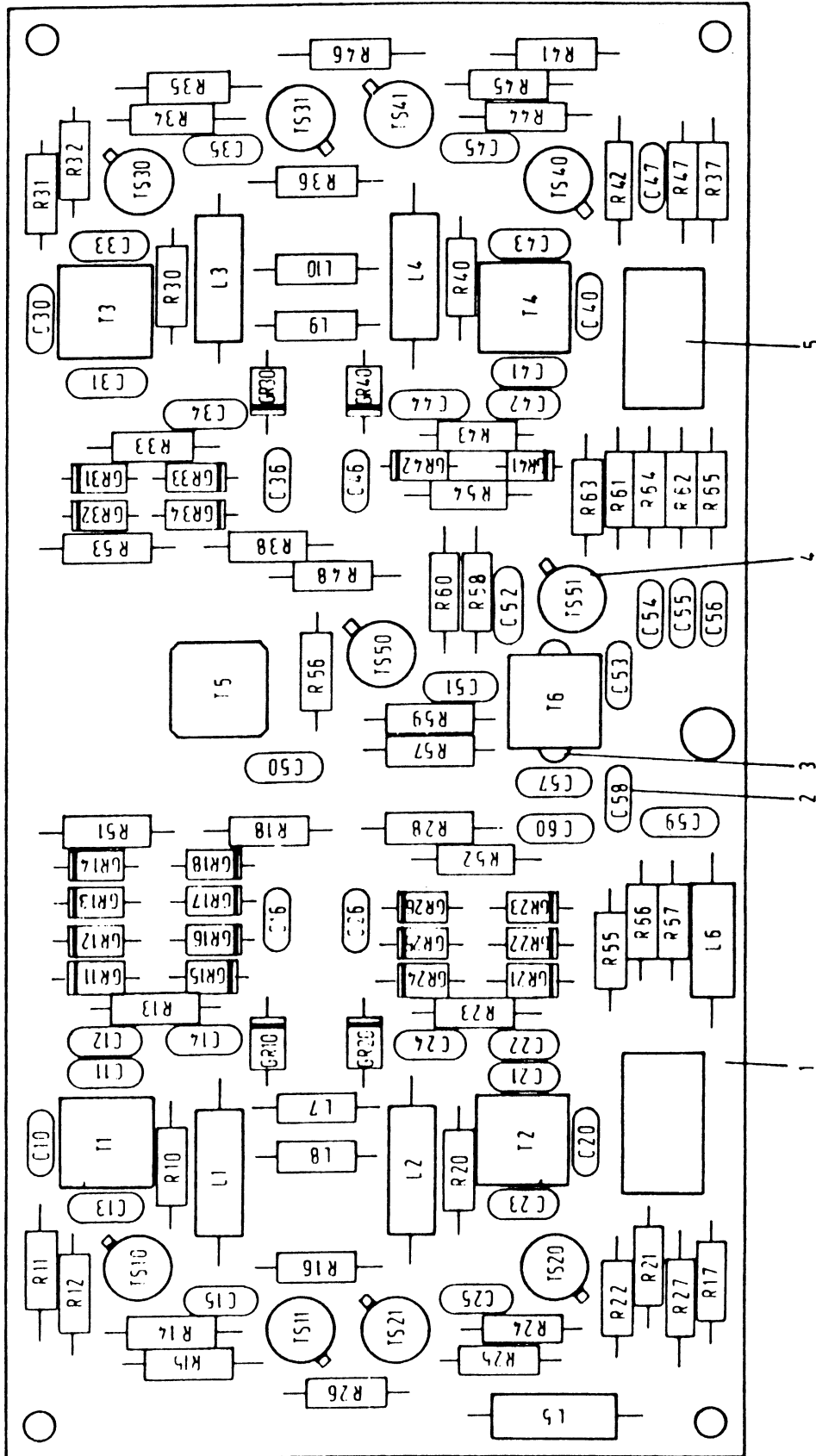


FIG. 15 MODULE 4A, TRANSMITTER OSCILLATOR AND MIXER STAGE

Repair parts list RT-4600

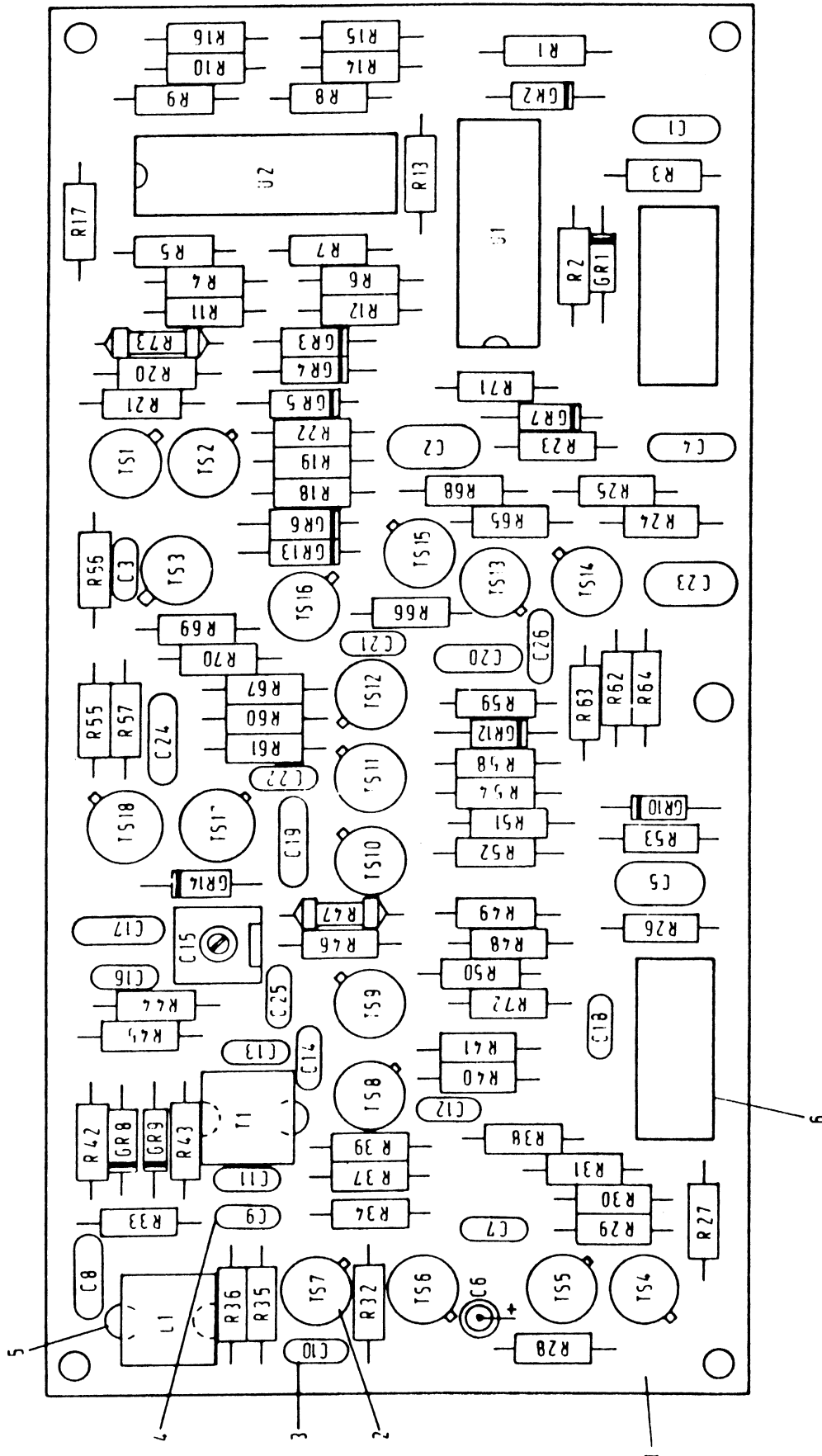


FIG.16 MODULE 4B, LOOP, TRANSMITTER PRESET AND PHASE DETECTOR

HGT5-2118e

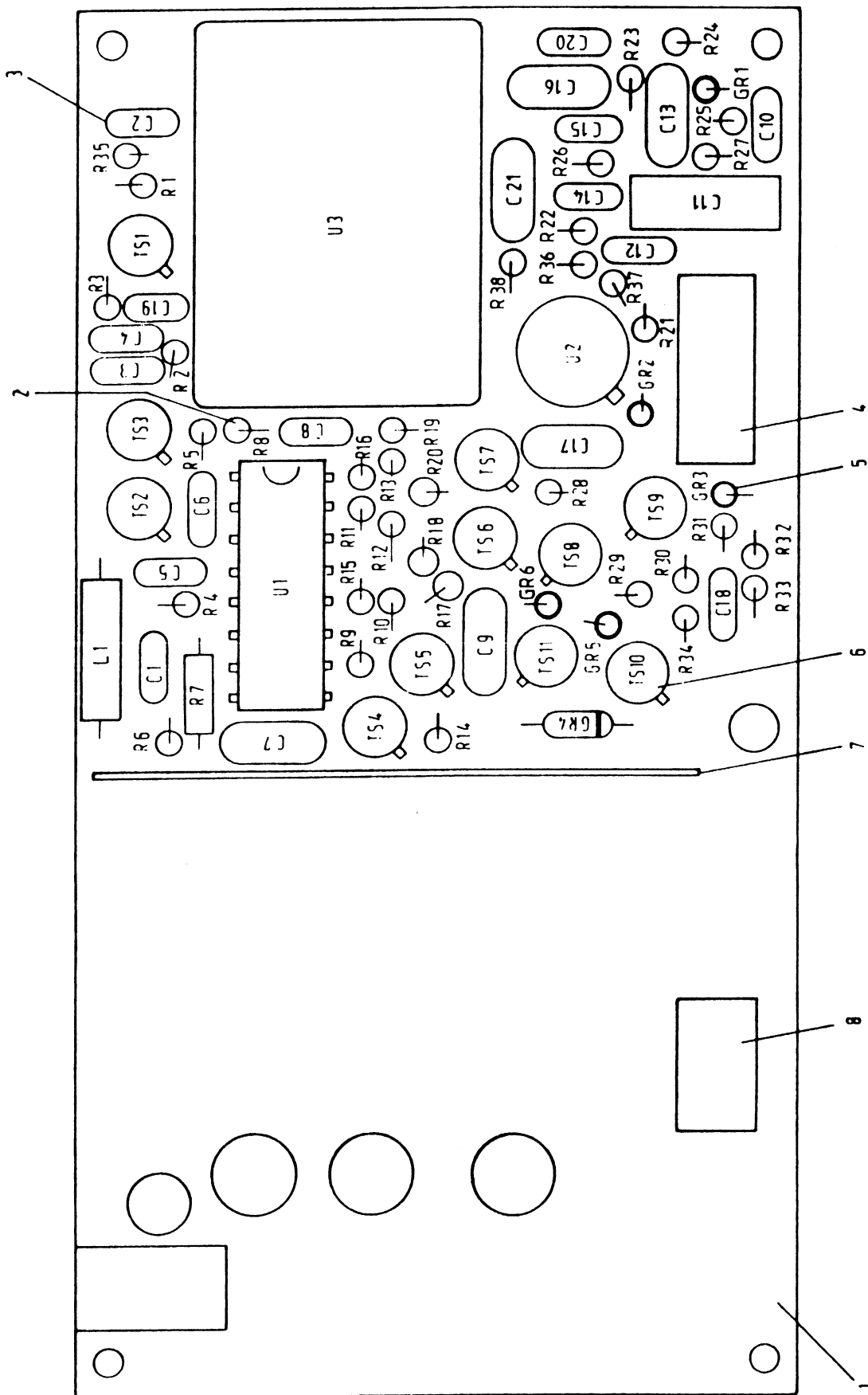


FIG.17 MODULE 105A REF GENERATOR AND AMPLIFIER, AUDIO FREQUENCY

Repair parts list RT-4600

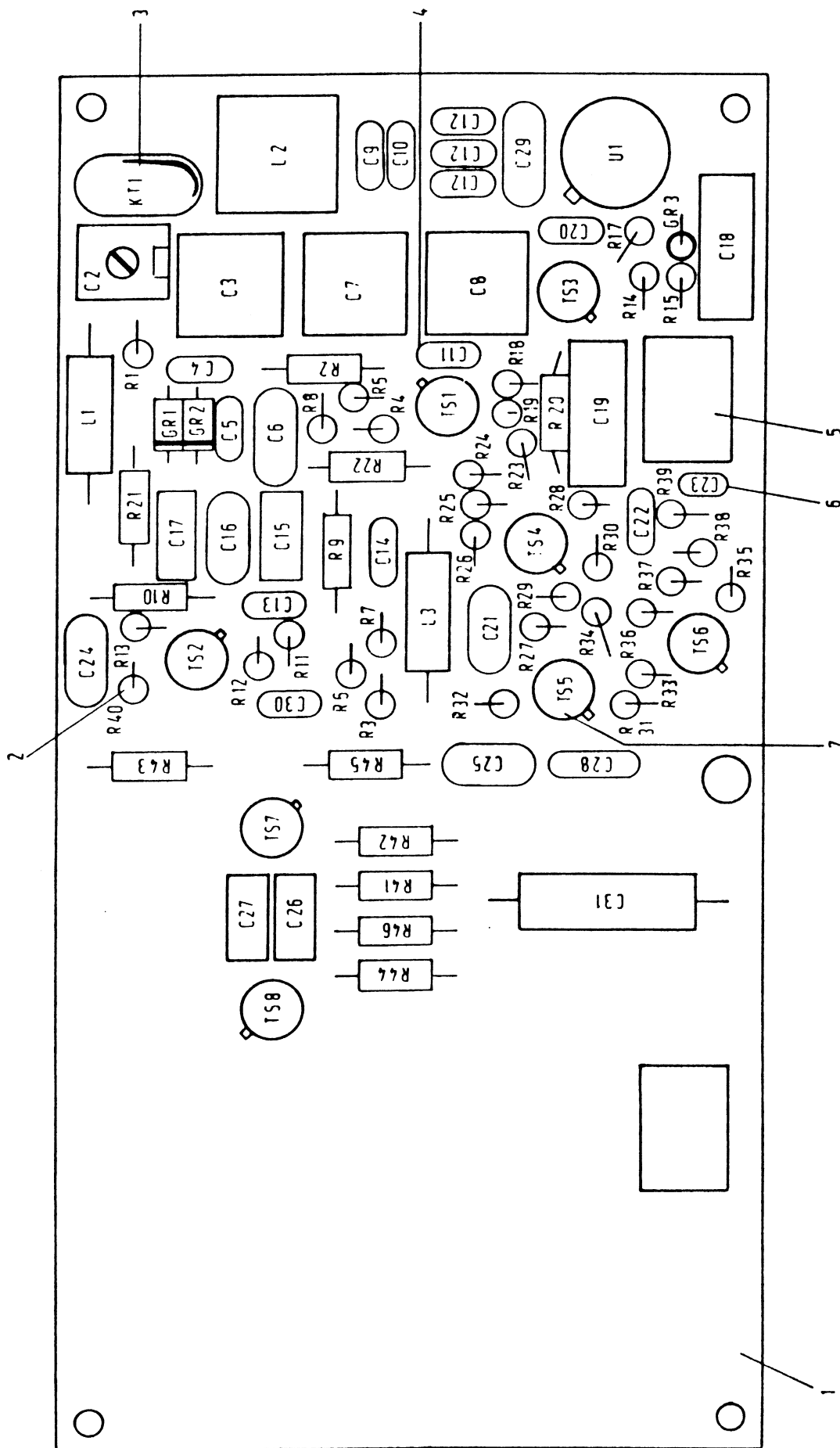


FIG. 18 MODULE 5B. MICROPHONE AMPLIFIER, MODULATOR AND PILOT OSCILLATOR

Repair parts list RT-4600

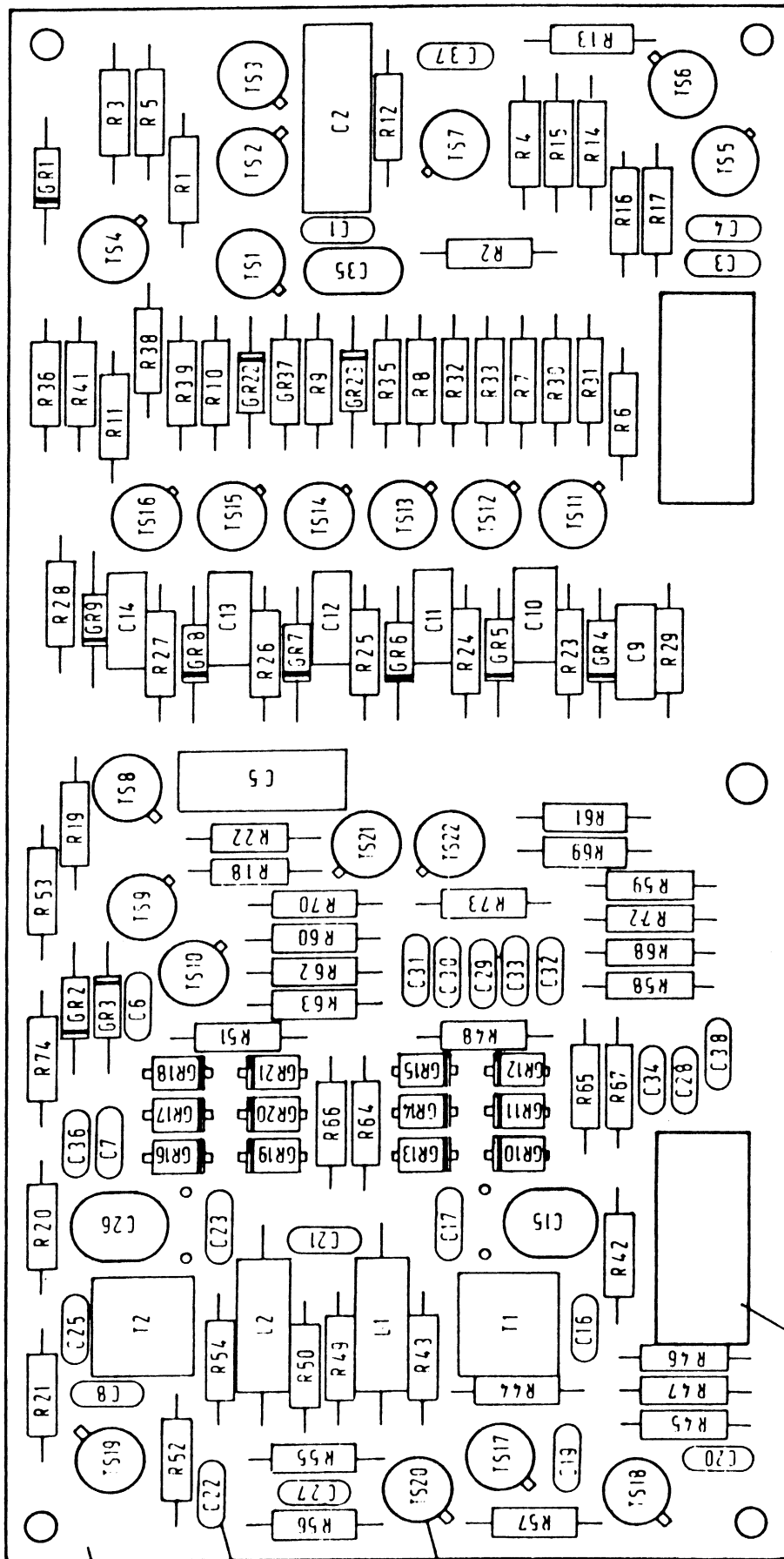
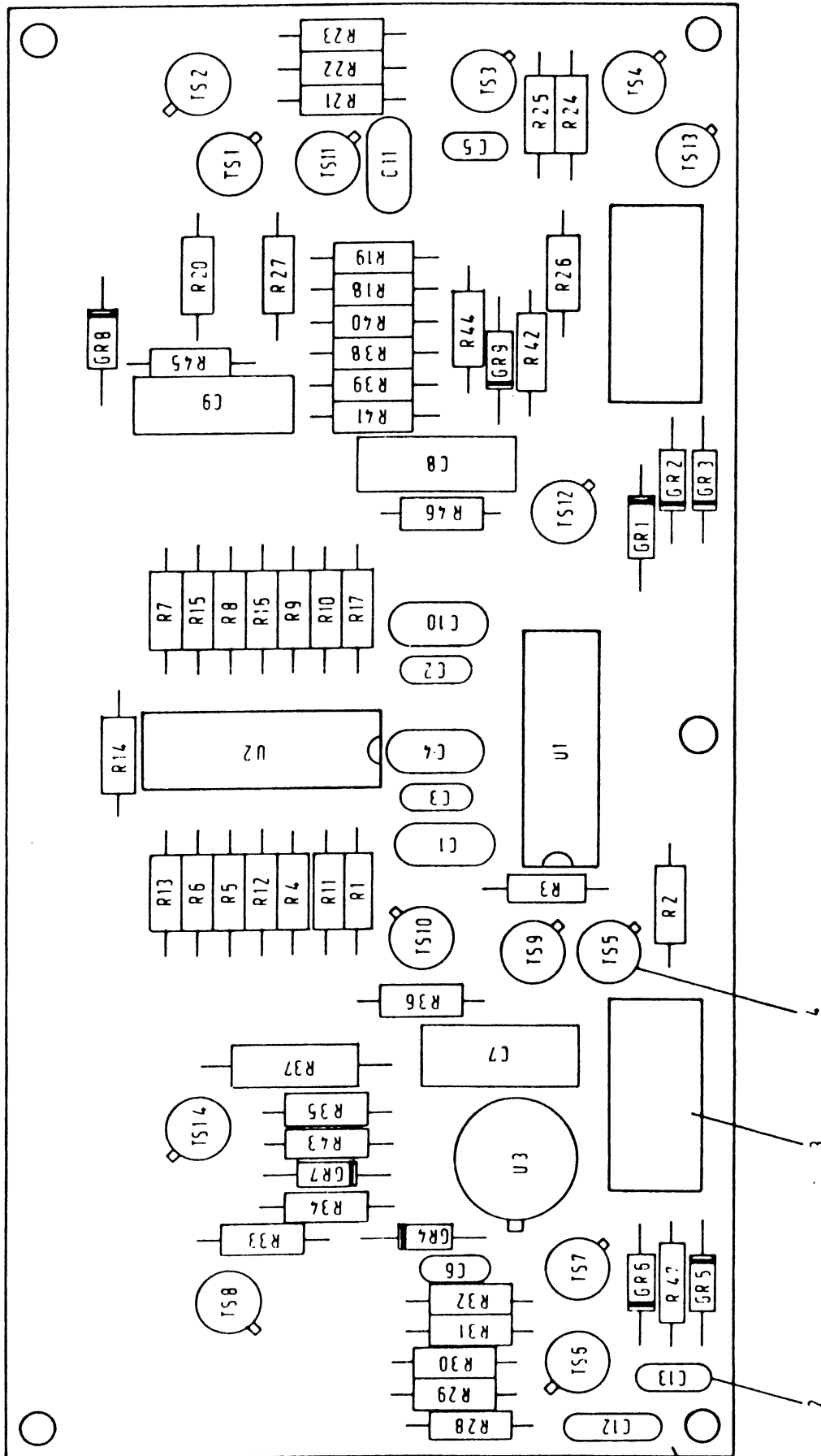


FIG.19 MODULE 6 A , RECEIVER OSCILLATOR AND SAMPLE AND HOLD DISCRIMINATOR

Repair parts list RT-4600



HGT5-2118e

FIG. 20 MODULE 6B, RF-SECTION TUNER

Repair parts list RT-4600

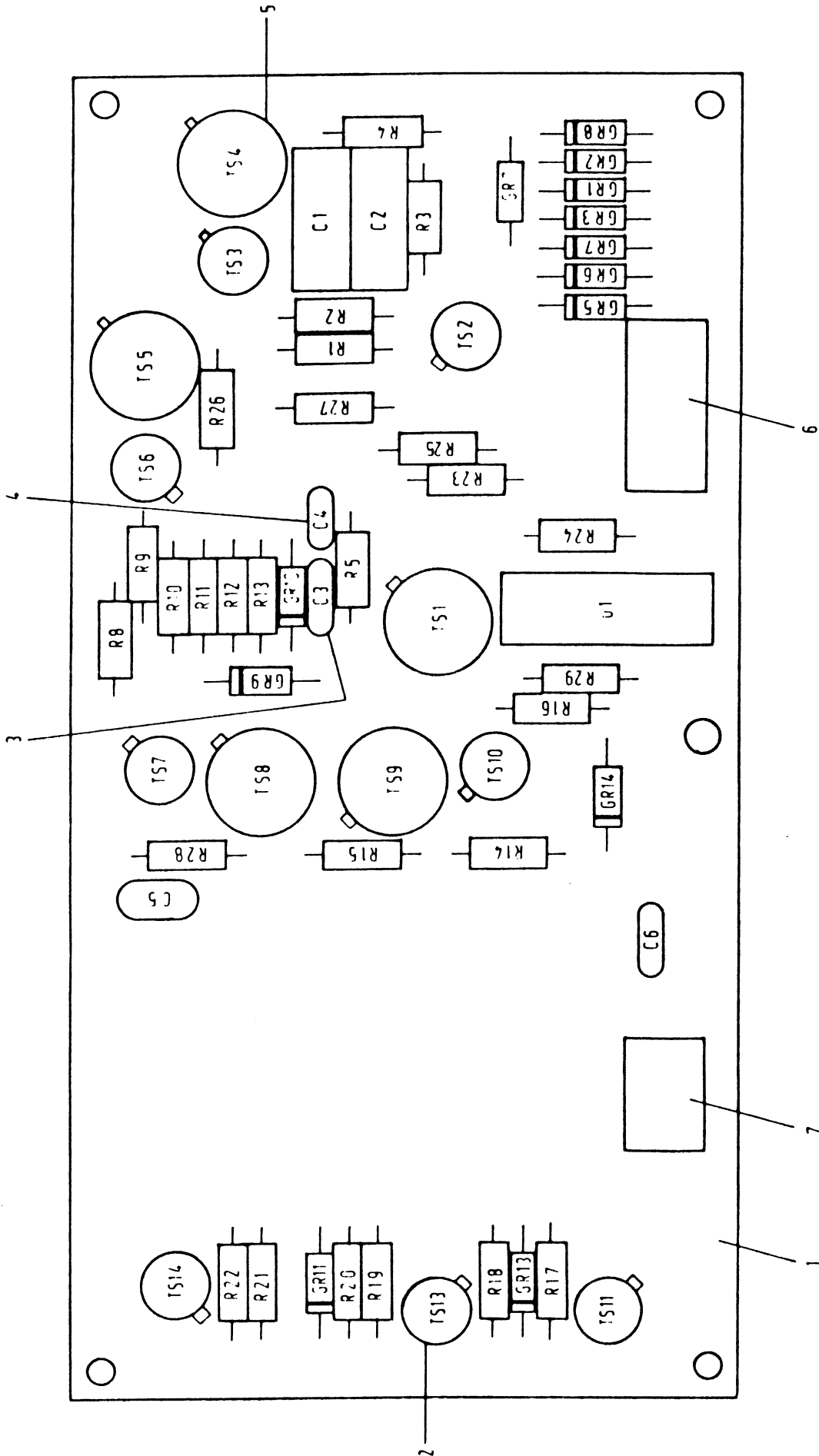


FIG.21 MODULE 7A, POWER SUPPLY SWITCH

Repair parts list RT-4600

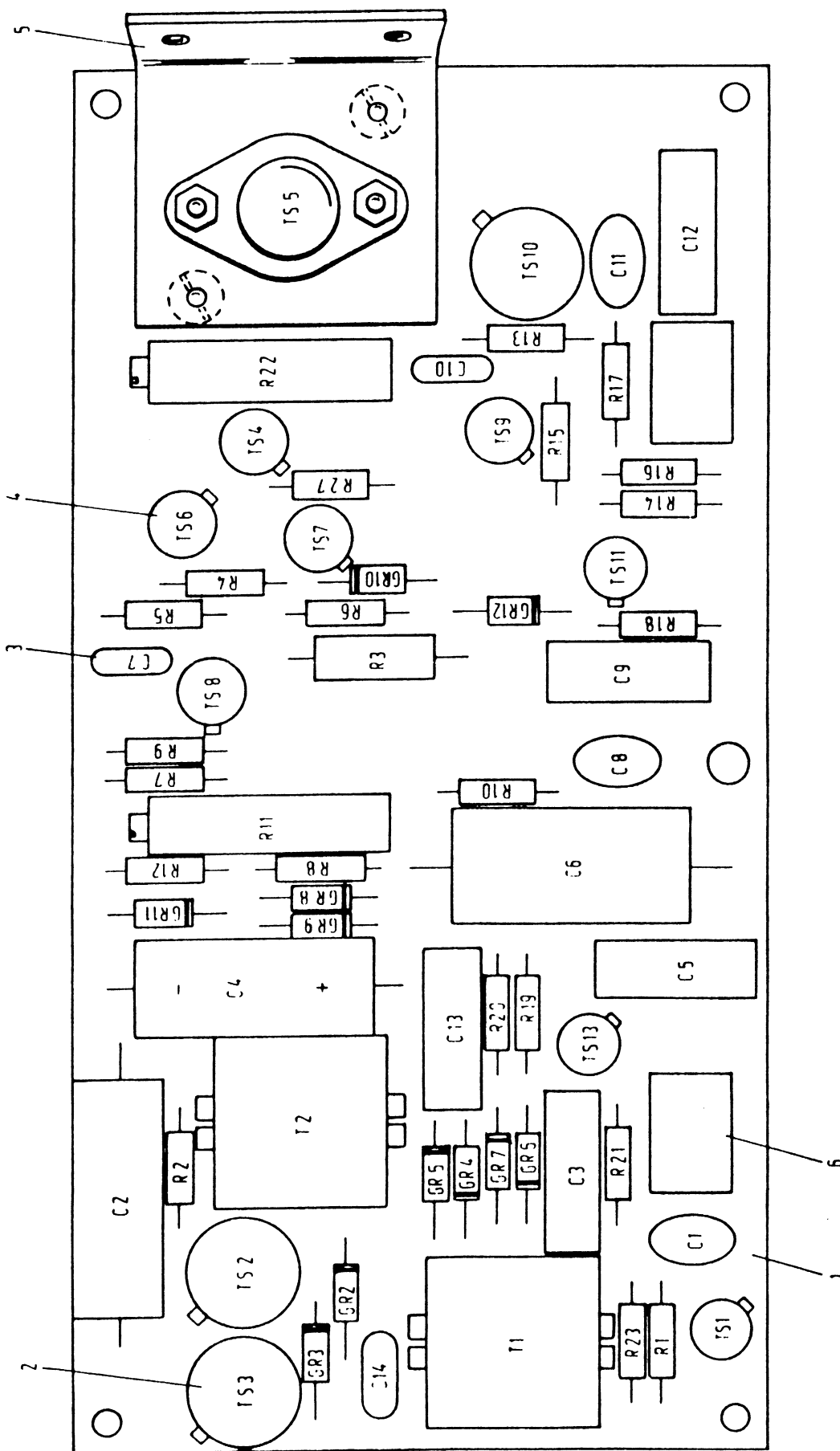
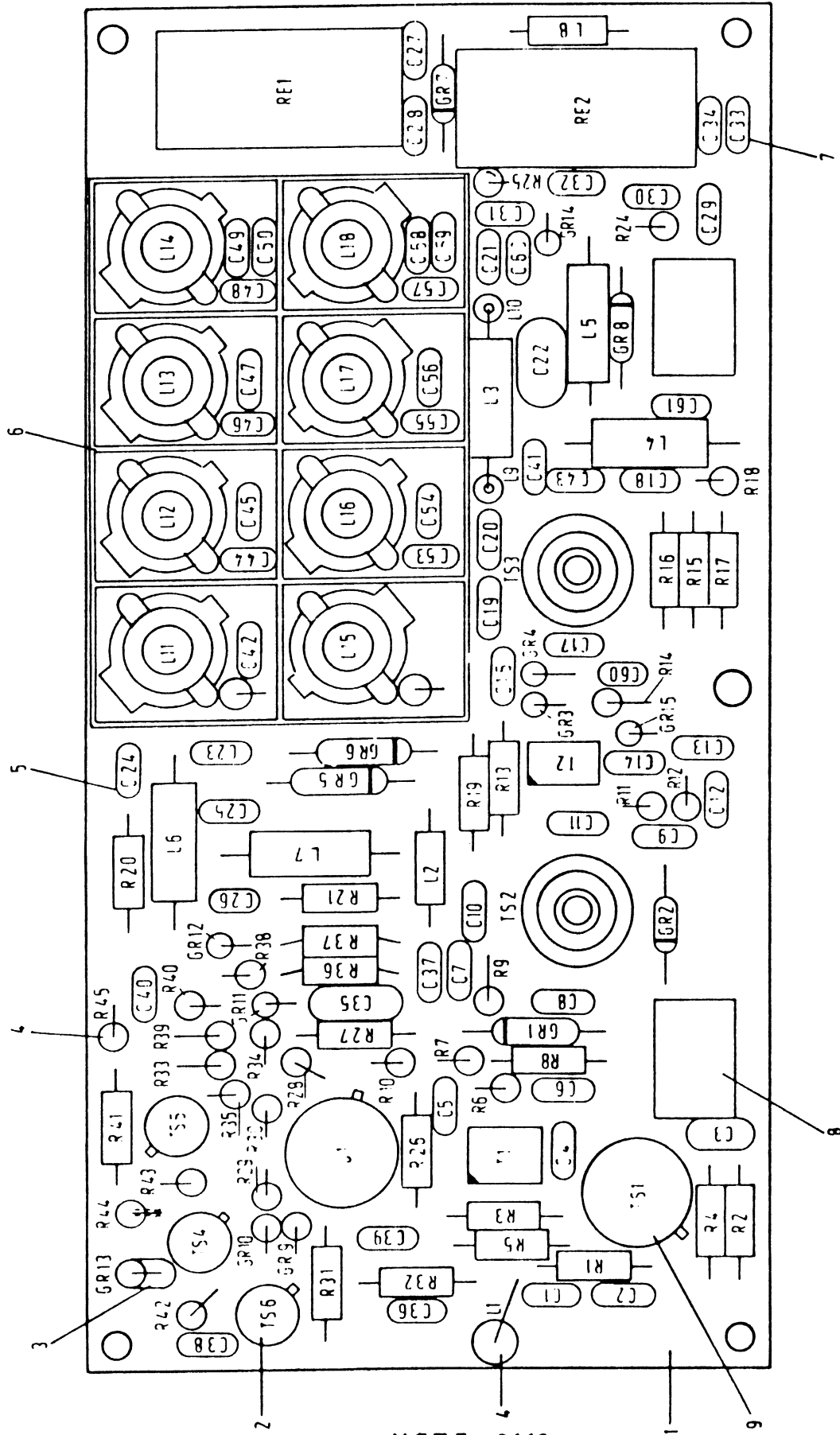


FIG.22 MODULE 7B, POWER SUPPLY UNIT

Repair parts list RT-4600



HGT 5-2118e
- 161 -

FIG.23 MODULE 8 A, TRANSMITTER AMPLIFIER AND LOW-PASS FILTERS

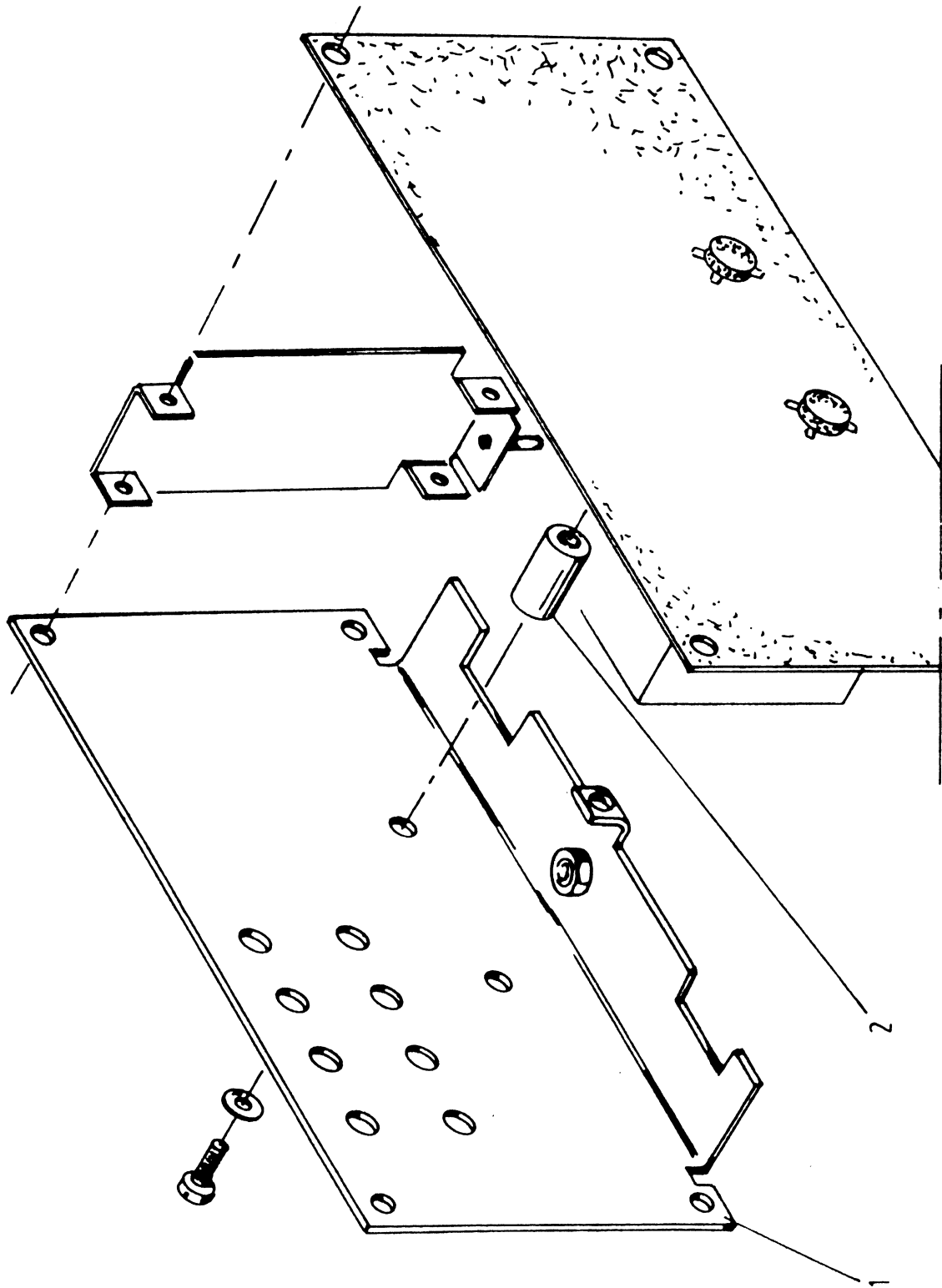


FIG.24 MODULE 8B, BRACKET ASSEMBLY

Repair parts list RT-4600

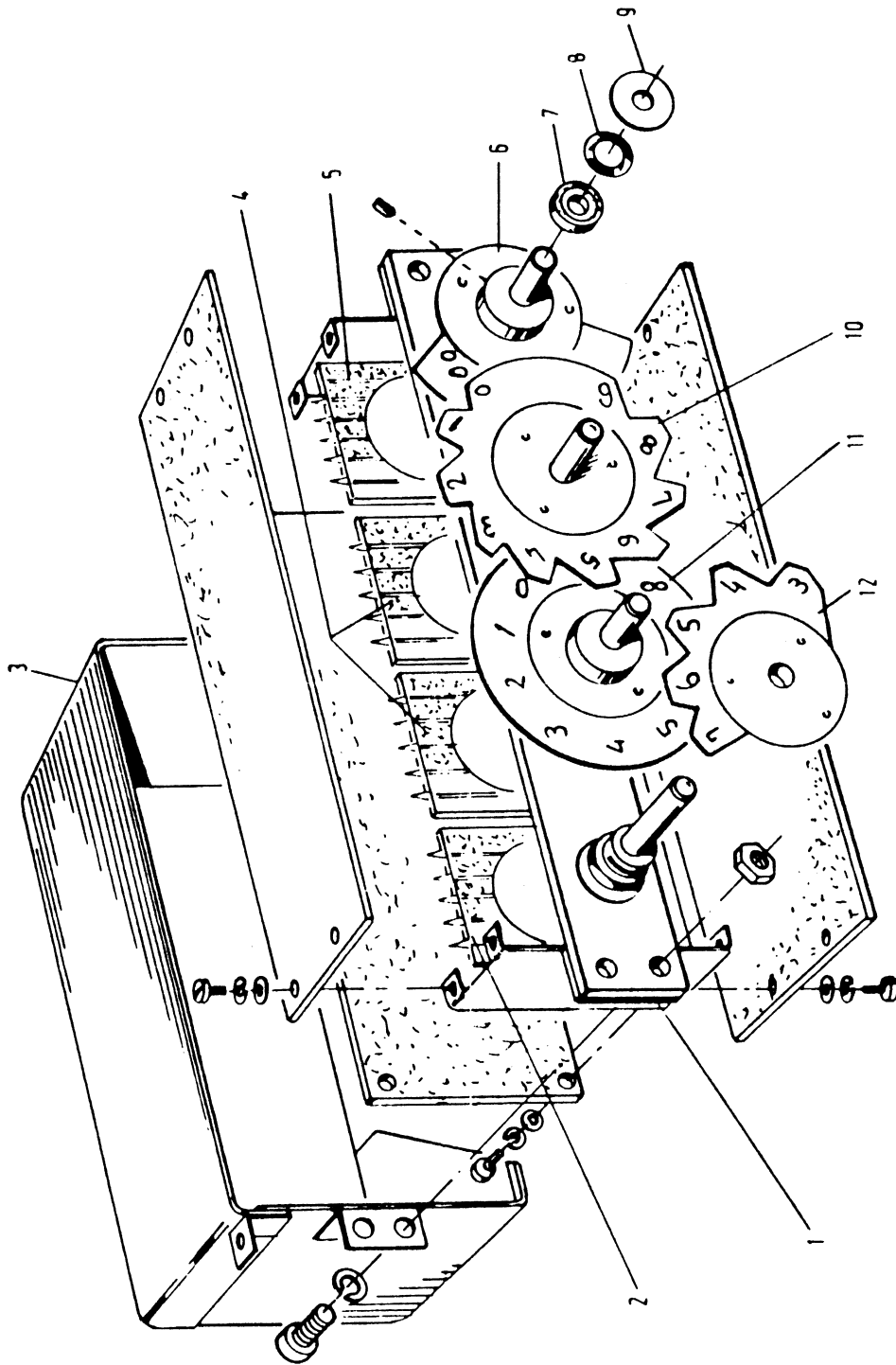
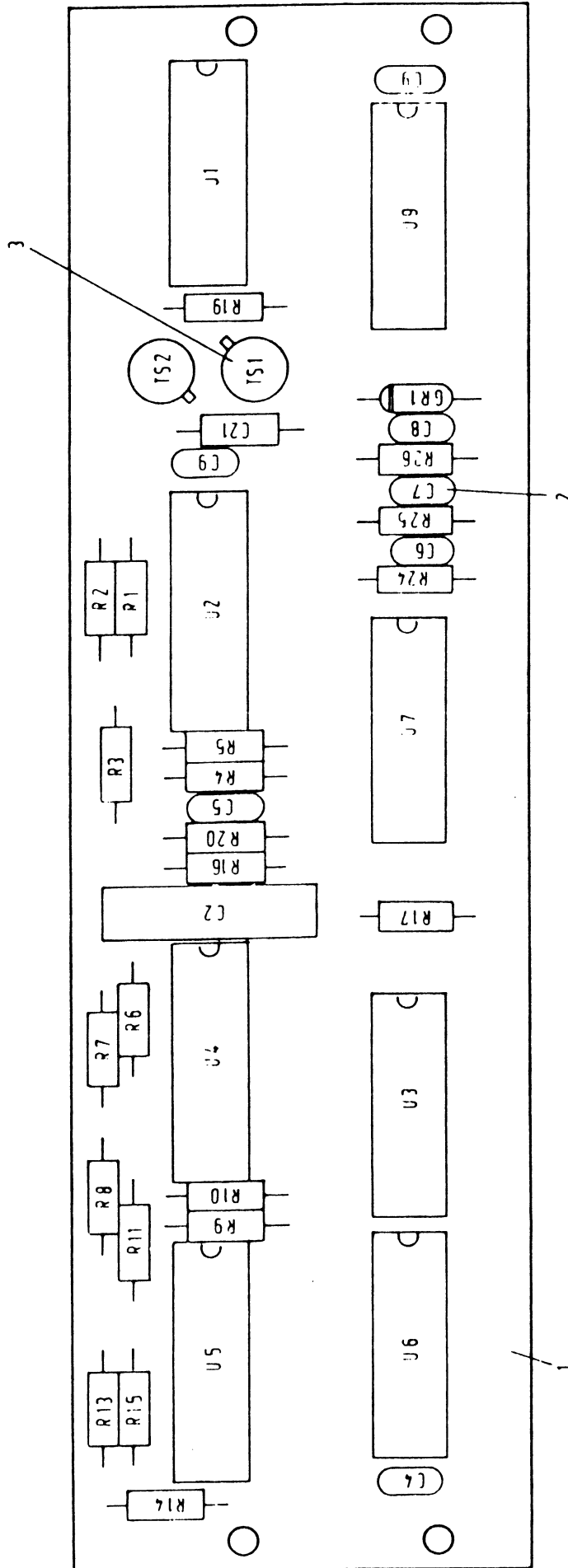


FIG. 25 MODULE 9, EXPLODED VIEW

Repair parts list RT-4600



HGT5-2118e
- 167 -

FIG. 26 MODULE 9A, DECADE-DIVIDER

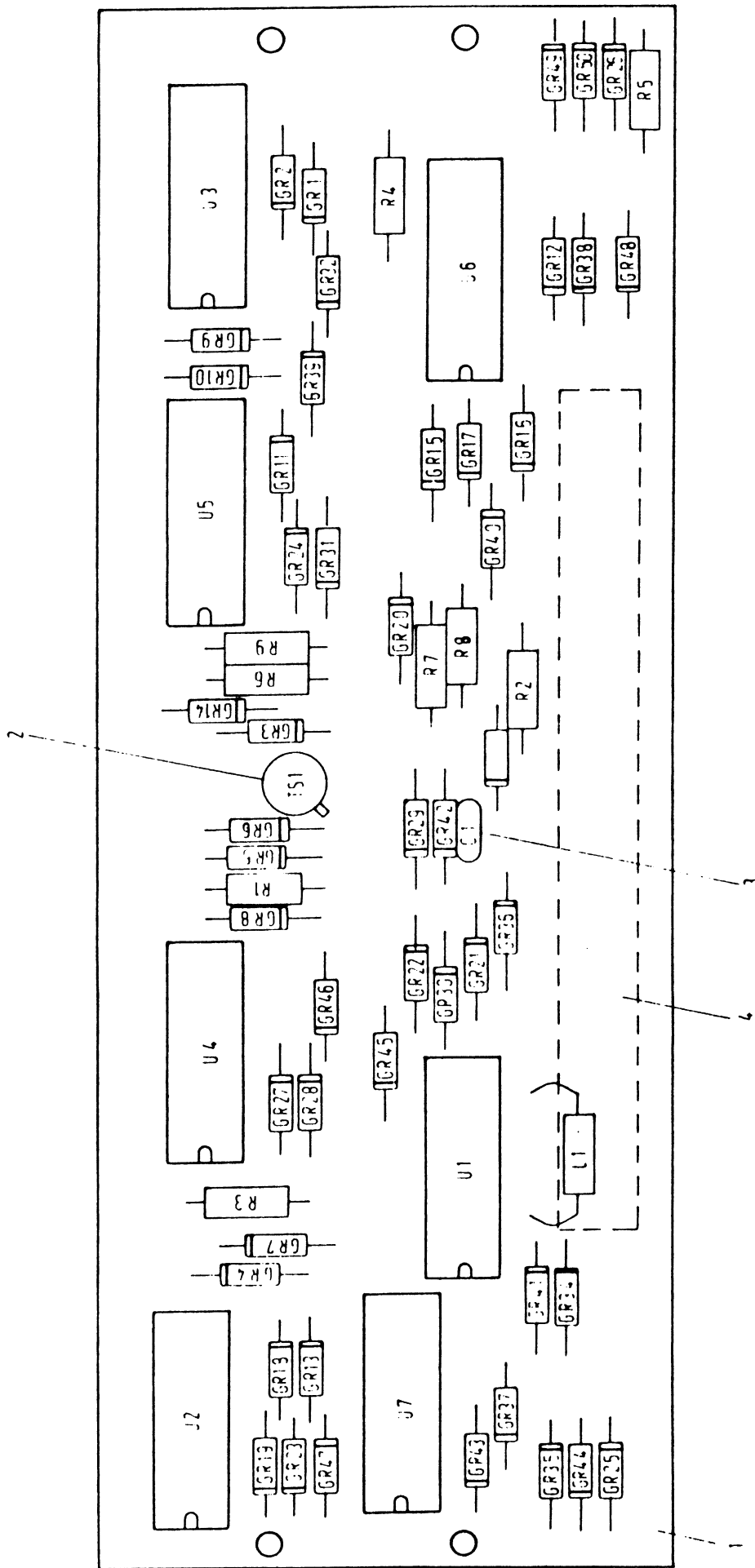


FIG. 28 MODULE 9C, MATRIX

Repair parts list RT-4600

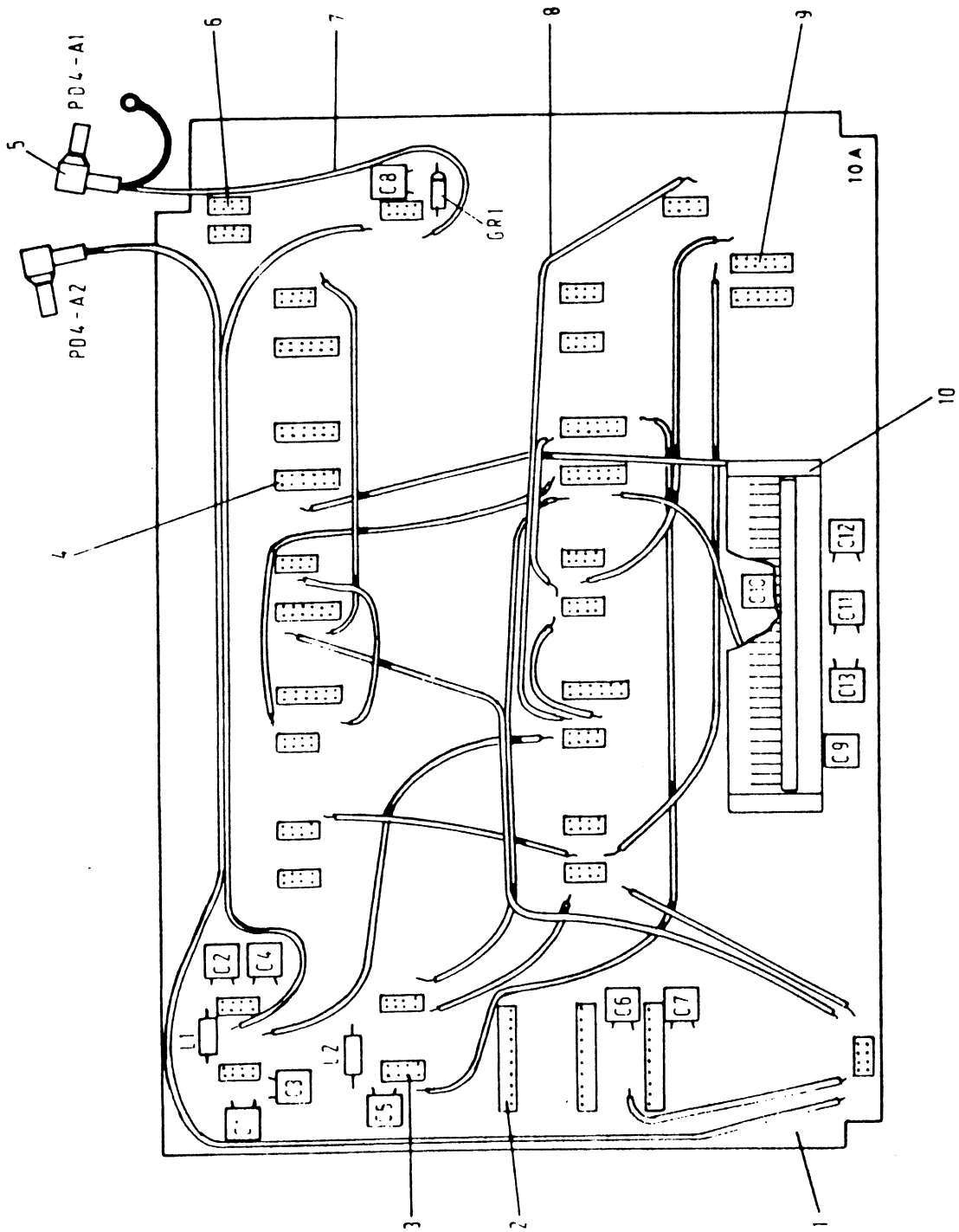


FIG.29 MODULE 10A PLATE ASSEMBLY

RECEIVER/TRANSCEIVER RT4600**- SENDER/EMPFÄNGER RT4600****Translation****- Übersetzung**

Amplifier Audio Frequency	- Nf-Verstärker
Amplifier, Intermediate Frequency	- Zwischenfrequenzverstärker
Antenna, Tuner	- Antennenabstimmereinheit
Block	- Block
Bracket	- Halter
Bracket, Angle	- Winkelhalter
Bracket Assembly	- Halteeinheit
Brass	- Messing
Bronze	- Bronze
Bush	- Buchse
Bush, Insulating	- Isolierbuchse
Cabinet, Electrical Equipment	- Gehäuse
Cable, Radio Frequency	- Hochfrequenzkabel
Cadmium	- Cadmium
Cadmium-Plated	- Cadmiert
Capacitor, Fixed	- Kondensator, Fest
Capacitor, Fixed, Electrolytic	- Elektrolytkondensator
Capacitor, Variable	- Kondensator, Veränderlich
Case	- Käfig
Chassis	- Chassis
Choke, Radio Frequency	- Hochfrequenzdrossel
Chromium	- Chrom
Clamp	- Klemme
Clamp, Bottom	- Befestigungsklemme, Unten
Clamp, Bridge	- Halteklammer
Clamp, Top	- Befestigungsklemme, Oben
Coil, Radio Frequency	- Hochfrequenzspule
Connector, Receptacle, Electrical	- Steckdose
Connector Assembly, Electrical	- Steckereinheit
Contact	- Kontakt
Corrosion-Resistant Steel	- Korrosionsbeständiger Stahl
Cover	- Abdeckung
Cover, Electrical Connector	- Abdeckung, Steckverbinder
Crystal Unit, Quartz	- Schwingquartz
Decade-Divider	- Dekadischer Teiler
Description	- Beschreibung
Detector	- Detektor
Dial, Control	- Wählscheibe
Filter, Band Pass	- Bandfilter
Fixed Divider	- Festteiler
Flat Fillister Head	- Zylinder-Flachkopf
Flat Head	- Flachkopf
Frame Assembly	- Rahmen, Kpl.
Front	- Frontplatte
Gear Assembly	- Zahnradgetriebe
Grommet, Rubber	- Kabeldurchführung, Gummi
Hexagon	- Sechskant

RECEIVER/TRANSCEIVER RT4600**- SENDER/EMPFÄNGER RT4600****Translation****- Übersetzung**

Indicator Light	- Anzeigelampe
Inductor, Radio Frequency	- Hochfrequenzinduktionsspule
Inside Diameter	- Innendurchmesser
Insulator Disk	- Isolierscheibe
Insulator Plate	- Isolierplatte
Insulator Ring	- Isolierring
Integrated Circuit	- Integrierte Schaltung
Knob	- Knopf
Lampholder	- Lampenhalter
Lampholder Assembly	- Lampenhalter, Kpl.
Length	- Länge
Lens	- Linse
Light, Indicator	- Anzeigelampe
Line No. (Line Number)	- Zeile
List Of Figures	- Bildtafelübersicht
Low-Pass Filter	- Tiefpassfilter
Matrix	- Matrix
Mfg. Code No.	- Teilekennzeichen
Microphone Amplifier	- Mikrophonverstärker
Mixer Stage	- Mischstufe
Modulator	- Modulator
Module	- Modul
Motor Assembly	- Motor, Kpl.
Nickel	- Nickel
Nickel Plated	- Vernickelt
Nut, Hexagon	- Mutter, Sechskant
O-Ring	- O-Ring
Outside Diameter	- Außendurchmesser
Phase-Detector	- Phasendetektor
Phosphor Bronze	- Phosphorbronze
Pilot Oscillator	- Steueroszillator
Pin	- Stift
Pin, Contact	- Kontaktstift
Pin, Pilot	- Führungsstift
Pin, Shoulder, Headless	- Bolzen mit Ansatz
Plate	- Platte
Plate, Designation	- Frontplatte, Beschriftet
Plate, Electrical Shield	- Abschirmplatte
Plate, Mounting	- Montageplatte
Plate Assembly	- Platte, Kpl.
Plug	- Stecker
Post, Electrical-Mechanical Equipment	- Verriegelung
Power Supply Switch	- Netzschalter
Power Supply Unit	- Stromversorgungseinheit
Preset	- Voreinstellung
PVC Foam	- PVC Schaum
Quantity	- Menge

RECEIVER/TRANSCEIVER RT4600**- SENDER/EMPFÄNGER RT4600****Translation****- Übersetzung**

Receiver	- Empfänger
Receiver Oscillator	- Empfängeroszillator
Reference Generator	- Bezugsgenerator
Relay	- Relais
Resistor, Fixed	- Widerstand, Fest
Resistor, Thermal	- Widerstand, Thermisch
Resistor, Variable	- Widerstand, Veränderlich
Ring	- Ring
Ring, Retaining	- Sprengring
Ring, Sealing	- Dichtring
Rubber	- Gummi
Sample And Hold Discriminator	- Abtast- und Haltediskriminator
Screw	- Schraube
Screw, Captive	- Unverlierbare Schraube
Screw, Set	- Einstellschraube
Screw, Shouldered	- Ansatzschraube
Seal, Rubber Strip	- Gummidichtung
Section, Radio Frequency	- Hochfrequenzeinheit
Section Tuner, Radio Frequency	- Hochfrequenzabstimmereinheit
Secured With	- Befestigt Mit
Selfadhesive	- Selbstklebend
Semiconductor Device, Diode	- Halbleiterdiode
Shaft, Straight	- Zylindrische Welle
Spacer	- Abstandsstück
Spring	- Feder
Spring, Helical, Compression	- Druckschraubenfeder
Spring, Leaf	- Blattfeder
Spring-Steel	- Federstahl
Squelch Detector	- Rauschdetektor
Steel	- Stahl
Strip	- Streifen
Switch	- Schalter
Switch, Rotary	- Drehschalter
Switch, Sensitive	- Fühlerschalter
Switch Assembly	- Schaltereinheit
Terminal, Lug, Single	- Kabelschuh, Einfach
Terminal Block	- Anschlußblock
Terminal Block Assembly	- Anschlußblock, Kpl.
Terminal Plug	- Anschlußstecker
Testsocket	- Testbuchse
Thick	- Dicke
Tone Generator	- Tongenerator
Total	- Gesamt
Transformer	- Transformator
Transformer, Radio Frequency	- Hochfrequenztransformator
Transistor	- Transistor
Transmitter	- Sender
Transmitter Amplifier	- Senderverstärker
Transmitter Loop	- Sendeschleife
Transmitter Oscillator	- Oszillator
Washer	- Scheibe
Washer, Flat	- Unterlegscheibe
Washer, Lock	- Zahnscheibe
Washer, Mica	- Glimmerscheibe